



SHIPPING WEIGHT

Weight | 1.8 lbs.

Length | 11 in.

Width | 14 in.

Height | 8 in.

FINISH CHART*

PC | Polished Chrome

SC | Satin Chrome

PB | Polished Brass

SB | Satin Brass

AB | Antique Brass

COP | Polished Copper

ACOP | Antique Copper

ORB | Oil Rubbed Bronze

PN | Polished Nickel

SN | Satin Nickel

MB | Matte Black

AN | Antique Nickel

BN | Black Nickel

PG | Polished Gold

BK | Black

WHT | White

* If selecting "WHT" or "BK" finish replace -XX with code in part number STC-XX. All other finishes replace the -XX in part number STCU-XX.

THERMATOUCH CONTROL

TT7X-XX

The ThermaTouch Control is a 7" LCD Touchscreen Control used to operate other ThermaSol modules such as Steam Room functions, Light, Sound and Tranquility Visualization, Stereo Audio output and Ethernet connection. The control is approx. 8-1/8" Wide X 6 - 1/8" High X 2 - 1/2" Deep. It requires a wall cutout 7-3/8" Wide X 5-3/8" High and must have a clear in wall depth of 3-1/2".

FEATURES

- Choose and download from a menu of 20 of the most popular Apps; shows, news, weather, video content, music and more
- Fully waterproof, ThermaTouch Plus can be installed anywhere: a shower, bathing area, patio, etc.
- Built-in Bluetooth®
- Ethernet connection
- WiFi-enabled capabilities ensure that users automatically receive any updates to the software right to the controller, in-home after purchase.
- Powered by Android™
- Stereo audio output
- Alexa compatible (Available Summer 2019)
- Date and Time display
- Set steam time and temperature
- Set and control preferences for two users
- Operates: steam, digital shower, light, sound and rain head.

SPECIFICATIONS

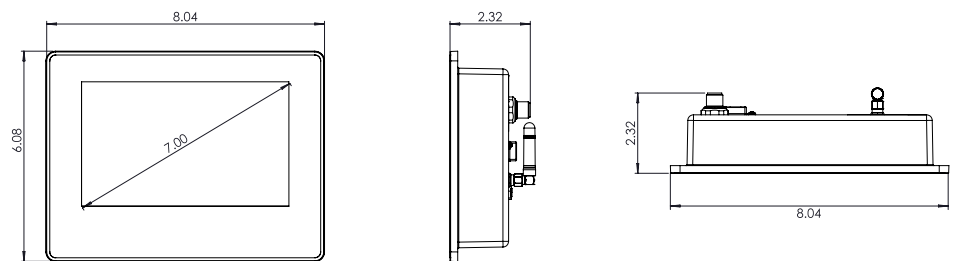
Construction | Acrylic or 6061 Aluminum

Controllability | Steam, Light & Sound

Audio Out | 1/8" Barrel Jack

Power Supply | ThermaSol PDM (10-8147)

Display | 7" Wide LCD Touch Screen



INSTALLATION NOTES

- Refer to ThermaSol installation Instructions Doc No. 81190 for complete instructions.
- Requires wall cut out opening of 7-3/8" Wide X 5-3/8" High X 3-1/2" Deep.
- Use Mud Ring for Tile installation and ThermaTouch Control placement (04-8544).
- Ensure 3-1/2" clearance behind the rear of the control for cable clearance.
- The control should be installed 60" inches from the floor and 6" from any wall and as far away from the steam outlet as possible.



SQUARE



ROUND

SPECIFICATIONS – Light and Sound Rain System

Construction.....6061 Billet Aluminum
 Controllability..... Signature, ThermaTouch, Signatouch
 Function Lights.....18 High Power LED lights
 Rainhead Water Supply..... 3/8", 40-80 PSI, 1.8GPM
 CEC Approved

Lighting

- 18 special high intensity LED Lights (R,G,B)
- Full color spectrum- All on = white light
- Color Changing "Mood Lighting"
- Preset Chroma Therapy Chakras
- Custom user programmable "any color"
- Voice Response Feedback

Audio

- Multi-Channel Hi-Power Mosfet Amplifier
- Built-in Subwoofer
- High-frequency Tweeters
- Voice Response Feedback
- Bluetooth module
- RCA audio input

Installation Notes:

Overall size is 10.0" SQ or Dia (if round) X 7.5" Tall X 5.5" Wide, and requires approx. 7.00" X 5.75" cutout in the shower ceiling. The unit is self-contained as one piece and extends into the ceiling space 7.0" plus plumbing connection clearance. Use a 3/8" compression fitting and a flexible potable waterline to connect to the Rainhead. Use only potable water and approved plumbing fittings for any shower connection. Refer to ThermaSol Installation Instructions for a full-sized template and detailed installation and operation instructions.

Finish Chart:

Select desired finish and replace XX with code.

PC = Polished Chrome
 SC = Satin Chrome
 PB = Polished Brass
 SB = Satin Brass
 AB = Antique Brass
 COP = Polished Copper
 ACOP = Antique Copper

PN = Polished Nickel
 SN = Satin Nickel
 BN = Black Nickel
 MB = Matte Black
 AN = Antique Nickel
 PG = Polished Gold
 ORB = Oil Rubbed Bronze
 WHT = White

Product Specification:

A self-contained, Light and Sound Rainhead module that creates high-intensity chromatherapy lights and sounds. Rainhead is rated at 1.8 GPM Max. at 80 PSI and requires a separate diverter port with shut off valve. Powered by: provided 24V DC, 30 Watts power supply.

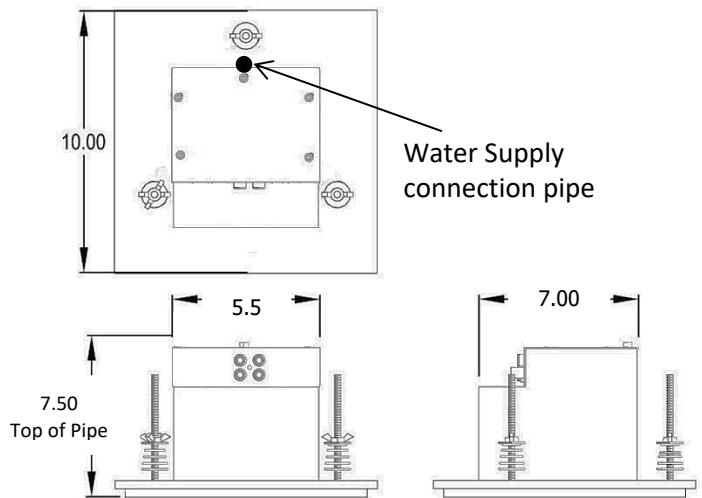
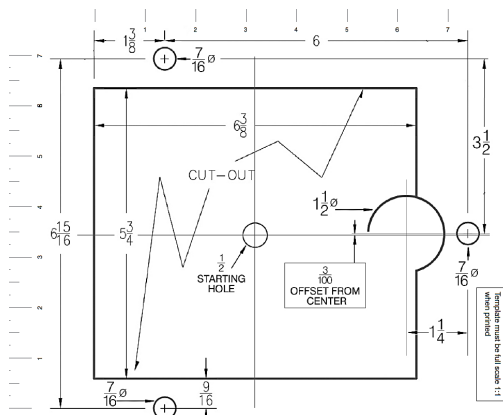
Shipping Information:

Weight.....13 lbs.
 Length.....15 in.
 Width.....15 in.
 Height.....14 in.

For any further assistance please contact ThermaSol at

800.776.0711 or sales@thermasol.com

Visit www.thermasol.com for a complete product definition





SPECIFICATIONS – SteamVection Steam Head

Construction..... Brass
Aromatherapy..... Integral Reservoir

Installation Notes:

The steam head should be installed 24 inches from the floor, and 6 inches from any corner, inside the shower only, and as far away from the controller and shower fixtures as possible.

The steam head housing requires a 1-1/8" hole in the shower wall, and must be flush with the finished wall and sealed to the wall to not allow vapor or water behind it. Use 1/2" copper fittings to attach the housing to the steam outlet. See the full steam head housing instructions within your generator installation guide.

Product Specification:

The steam head shall be approximately 1.75" x 1.75" in the square version, and a 1.75" Dia. For the round version. The steam head is made from brass alloy and includes an aromatherapy well.

Finish Chart:

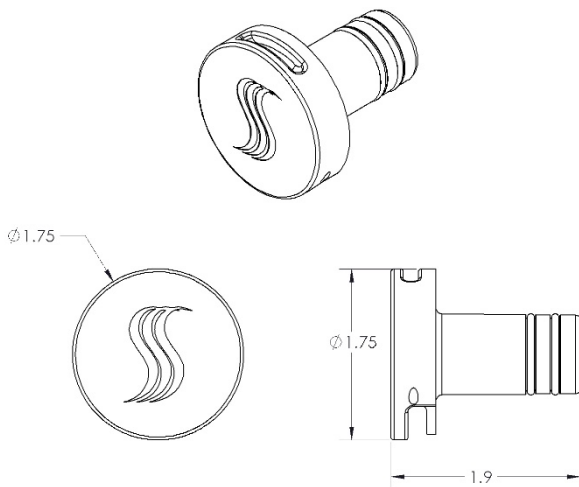
Select desired finish and replace XX with code. No-Touch Aromatherapy steam head and control finishes.

| | |
|-----------------------|-------------------------|
| PC = Polished Chrome | PN = Polished Nickel |
| SC = Satin Chrome | SN = Satin Nickel |
| PB = Polished Brass | BN = Black Nickel |
| SB = Satin Brass | AN = Antique Nickel |
| AB = Antique Brass | PG = Polished Gold |
| COP = Polished Copper | ORB = Oil Rubbed Bronze |
| ACOP = Antique Copper | WHT = White |
| MB = Matte Black | |

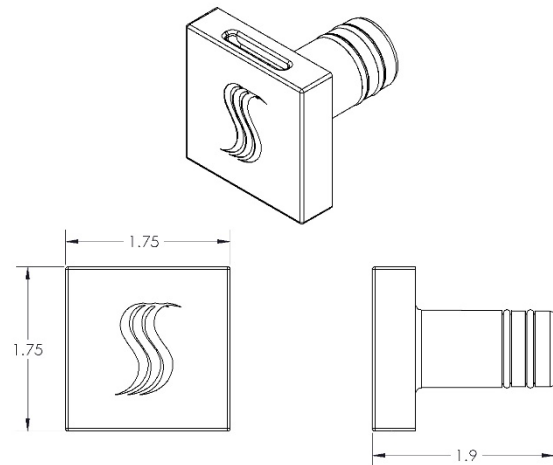
Shipping Information:

Weight..... 1 lbs.
Length.....9.5 in.
Width.....3.5 in.
Height.....2.5 in.

For any further assistance please contact
ThermaSol at 800.776.0711 or
sales@thermasol.com



Round Style



Square Style