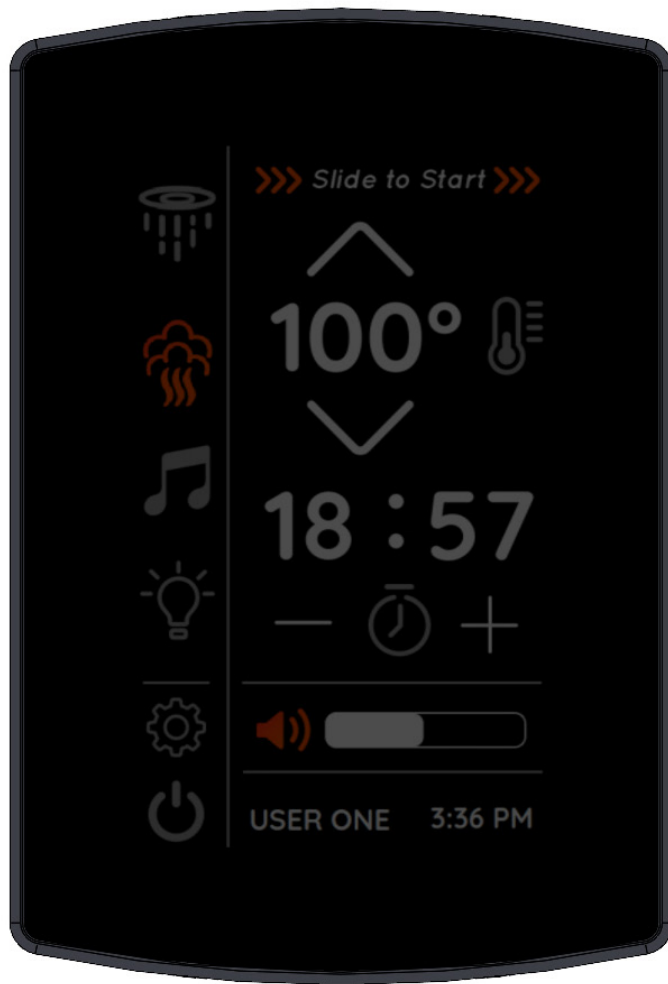


Installation Manual

For Tutorials and Troubleshooting visit www.thermasol.com/solutions

THERMASOL

OVER 60 YEARS OF STEAM SHOWER INNOVATION



SignaTouch Control

Installation Manual

For Tutorials and Troubleshooting visit www.thermasol.com/solutions

STCM-XXX

THERMASOL[®]

OVER 60 YEARS OF STEAM SHOWER INNOVATION

1 Important Information before You Install

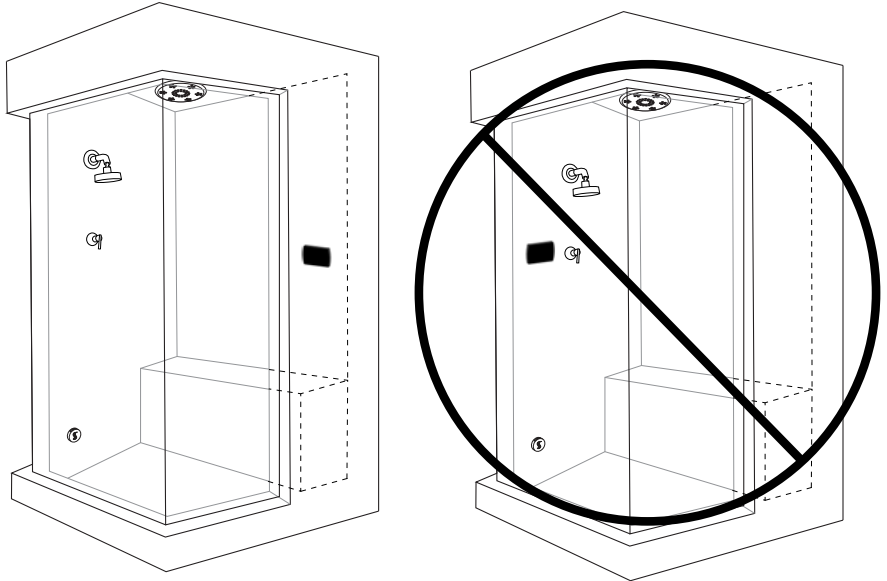
The SignaTouch Control must be installed inside the shower. The Signatouch control will only function on the current TFX, and PRO Series generators.

The control should be installed 60" from the floor of the shower and away from the steamhead.

The steamhead should be installed 24" from the floor and 6" from any wall. Locate as far as possible from the bathing seating area or location of the users and not below any fixtures.

IMPORTANT: When locating and installing the Signatouch, it is required to not place the control under any water-outlets, shower heads or in the direct path of flowing water.

SEE DIAGRAM FOR LOCATION EXAMPLE.



PLEASE REVIEW WARNINGS BELOW AND LEAVE THIS MANUAL WITH HOMEOWNER

DO NOT USE THIS PRODUCT UNLESS YOU HAVE CONSULTED WITH YOUR DOCTOR AND RECEIVED WRITTEN PERMISSION TO DO SO. USE OF THIS PRODUCT MAY BE HAZARDOUS TO YOUR HEALTH.

PLEASE CONSULT YOUR PHYSICIAN BEFORE USING. IF YOU ARE PREGNANT, ELDERLY, HAVE HIGH BLOOD PRESSURE, DIABETES, SUFFERING FROM HEART DISEASE, ARE INTOXICATED, OR NOT IN GOOD HEALTH, DO NOT USE THIS STEAM BATH.

STEAM IS HOT! DO NOT TOUCH OR GO NEAR THE STEAMHEAD FROM THE TIME THE UNIT IS "ON," UP TO ONE HOUR AFTER IT HAS SHUT OFF. SEVERE BURNS WILL OCCUR IF YOU COME IN CONTACT WITH THE STEAMHEAD OR STEAM EMITTING FROM THE STEAMHEAD.

NEVER ATTEMPT TO FILL AROMA RESERVOIR ON THE STEAMHEAD WHEN UNIT IS IN THE "ON" POSITION. SEVERE BURNS WILL OCCUR.

DO NOT USE THERMASOL AROMATHERAPY OILS, SKIN CARE PRODUCTS OR ANY PRODUCT ASSOCIATED WITH YOUR THERMASOL UNIT WITHOUT CONSULTING WITH YOUR ALLERGIST OR DOCTOR BEFORE USE. THESE PRODUCTS MAY BE HAZARDOUS TO YOUR HEALTH.

DO NOT USE STEAM ROOM WHILE UNDER THE INFLUENCE OF ALCOHOL OR DRUGS, AS THIS CAN BE HAZARDOUS TO YOUR HEALTH.

YOUR SHOWER MAY BE A SLIP-AND-FALL HAZARD. CHECK WITH YOUR CONTRACTOR OR FLOORING MANUFACTURER REGARDING THE SAFE USE OF YOUR FLOORING IN A STEAM APPLICATION. SLIPPING AND FALLING INTO THE STEAMHEAD ITSELF OR INTO THE STREAM OF STEAM EMITTING FROM THE STEAMHEAD WILL CAUSE SERIOUS BURNS OR PHYSICAL INJURY.

IF YOU ARE FEELING UNCOMFORTABLE, DIZZY, FAINT, OR STARTING TO FALL ASLEEP, IMMEDIATELY EXIT THE STEAM ROOM.

DO NOT USE STEAM ROOM IF YOU ARE UNDER THE AGE OF 16 UNLESS SUPERVISED BY AN ADULT.

THERMASOL STEAM BATH GENERATORS ARE NOT DESIGNED TO BE USED FOR SPACE HEATING PURPOSES.

THERMASOL STEAM BATH GENERATORS ARE FOR INDOOR USE ONLY. THEY SHOULD NEVER BE LOCATED OUTSIDE THE HOME.

All products must be installed in accordance with installation instructions provided. Failure to do so may invalidate warranty at manufacturer's discretion. ©2019 ThermaSol.

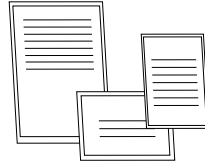
2 Tools and Materials



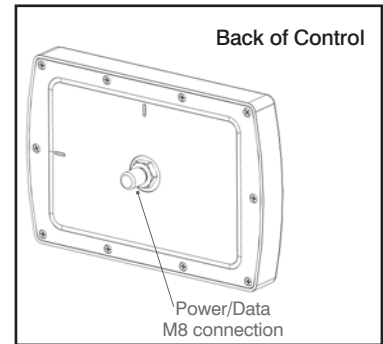
Controller
Item STCM-XXX



Silicone



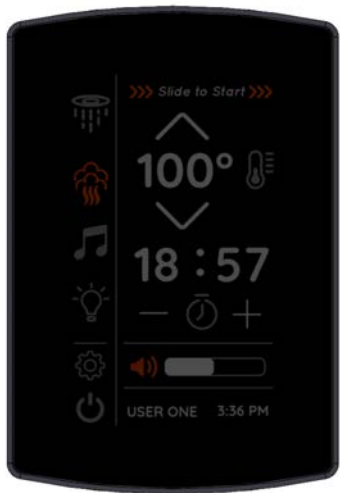
Installation instructions, warranty,
static cling warning label



Materials needed:

- SignaTouch control
- M8 cable
- Silicone
- Other materials as required
- 1-1/2" Masonry Drill Bit

3 Installation options



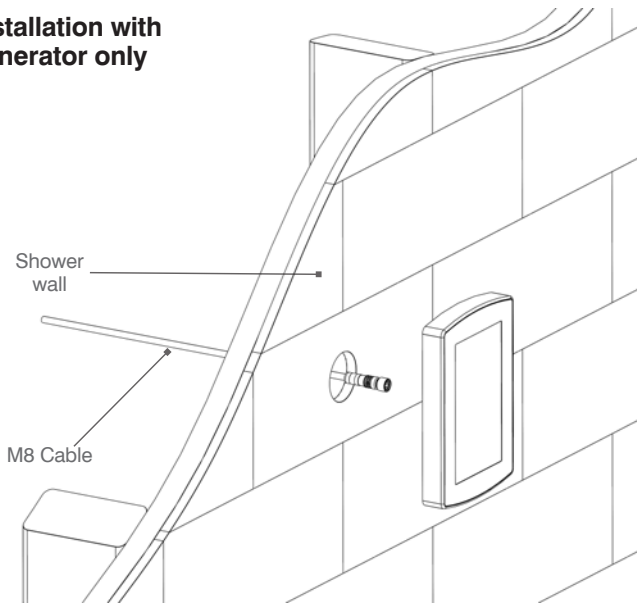
Vertically installed



Horizontally installed

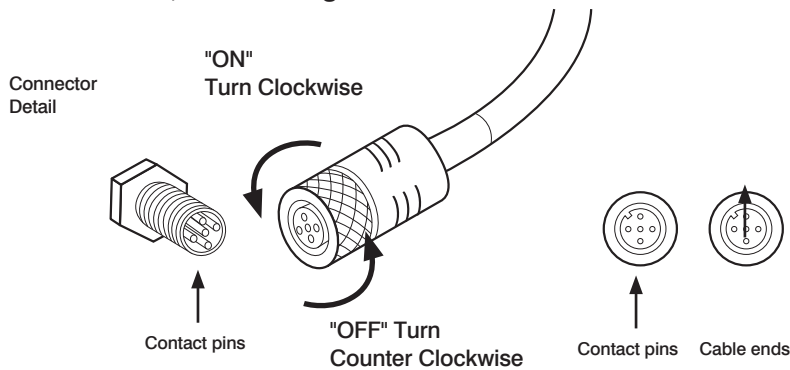
4 Control Installation and Data Cable Connection

Installation with generator only



Route the M8 cable through the finished wall to the back side of the control. (The other end of the cable runs to the steam generator location.) NOTE: It is recommended to run the cable through electrical conduit. DO NOT STAPLE the cable!

Installation with one of or all, SLSR, Digital shower valve, and steam generator.

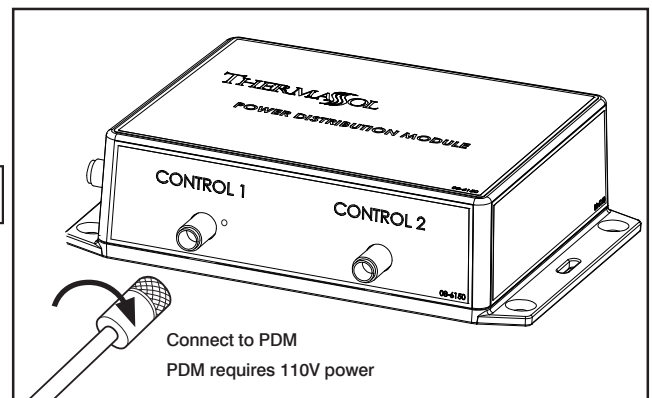
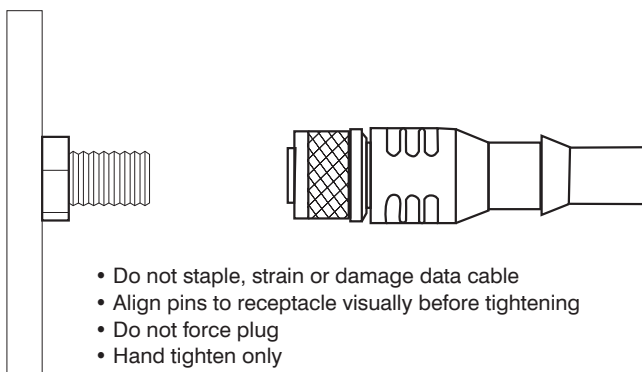


DO NOT pinch, nail, staple, wedge, or bind the data cable.

DO NOT wrap the data cable around steam line or route it in a manner so that the hot steam line could melt the cable.

Any damage to the control cable will result in the control not working properly.

Carefully connect the data cable to the PDM and control BEFORE turning power on to the generator or PDM.



Connect the data cable to Power Distribution Module (PDM). (The other end of the cable runs to the back of the control in the shower location.)

5 Sealing Control

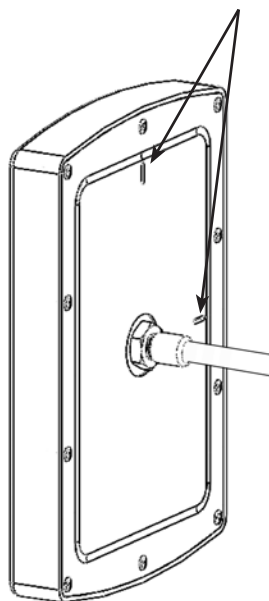
TEST THAT ALL CONNECTIONS ARE WORKING BEFORE SEALING THE CONTROL TO THE WALL.
(Power on the control and see that it lights up).

Coat the entire back of the control with supplied waterproof silicone to fully seal the control to the wall.
Completely seal the control to the wall so moisture does not collect behind it.

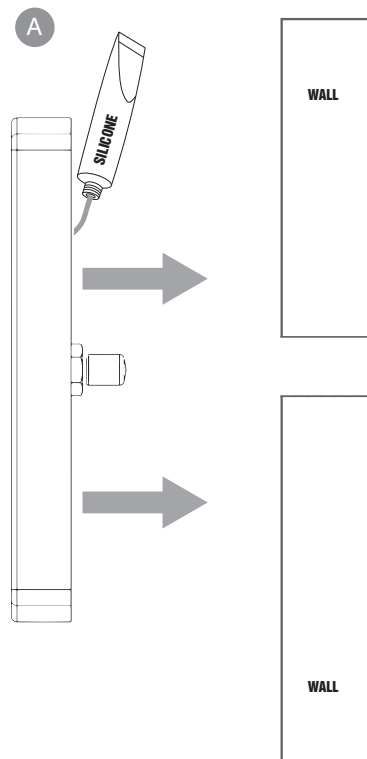
- A Place the control on the wall pressing firmly. (You may need to tape the control into place until the silicone dries.) Be careful not to harm the wall or control with the tape. Let dry for 24 hours before using steam bath.

NOTE:

Notch must face up for vertical or horizontal installation

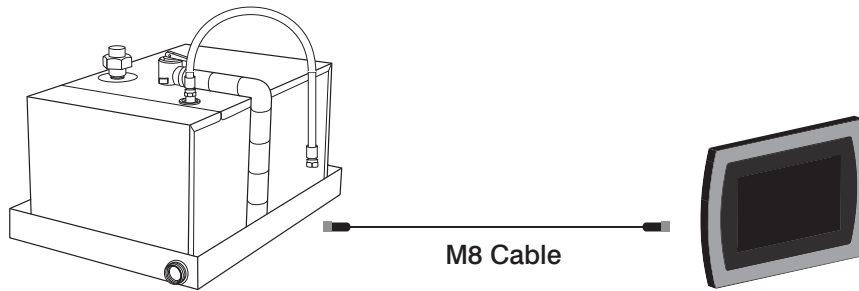


Back Side of Control
Vertical Install

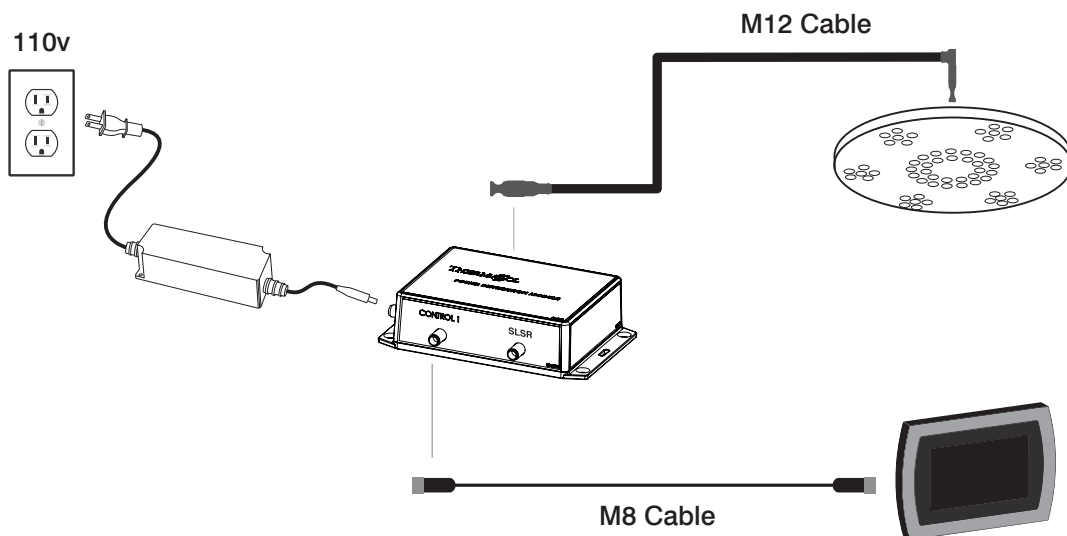


Side View of Control
Vertical Install

6a Connecting SignaTouch to the Generator

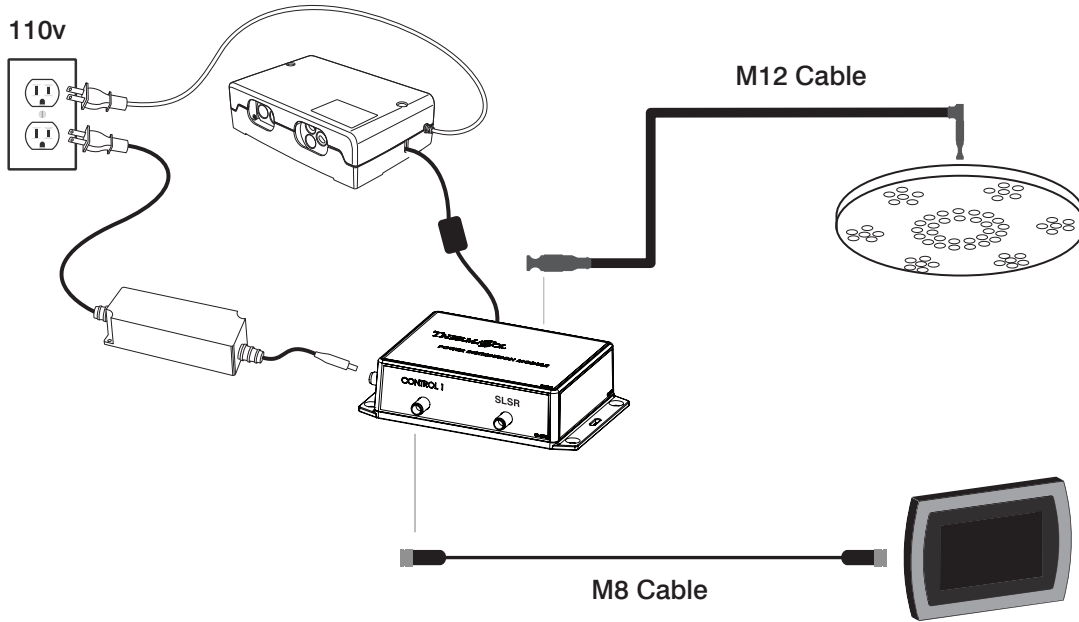


6b Connecting SignaTouch to Serenity Light, Sound, Rainhead (if applicable)

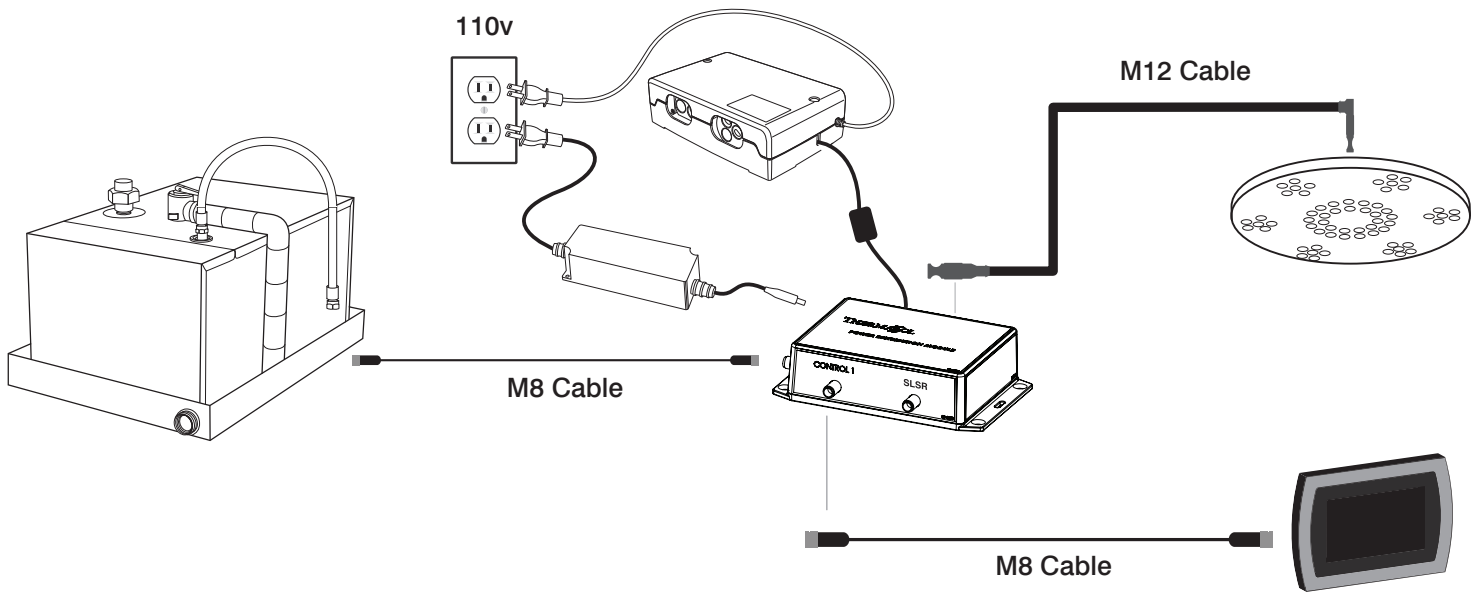


Read warnings on page 2. For illustrative purposes only. Consult with qualified professional for steam room construction details.

6c Connecting SignaTouch to Digital Shower



6d Connecting Total Wellness Package



Read warnings on page 2. For illustrative purposes only. Consult with qualified professional for steam room construction details.

7 Steam Line and Steamhead

Now you will need to decide on the steamhead placement in the shower so you can run the steam line from the generator to the steamhead. There are a couple of things you need to know about the placement of the steamhead and steam line itself.

DO NOT install any valve in the steam line. Flow of steam must be unobstructed.

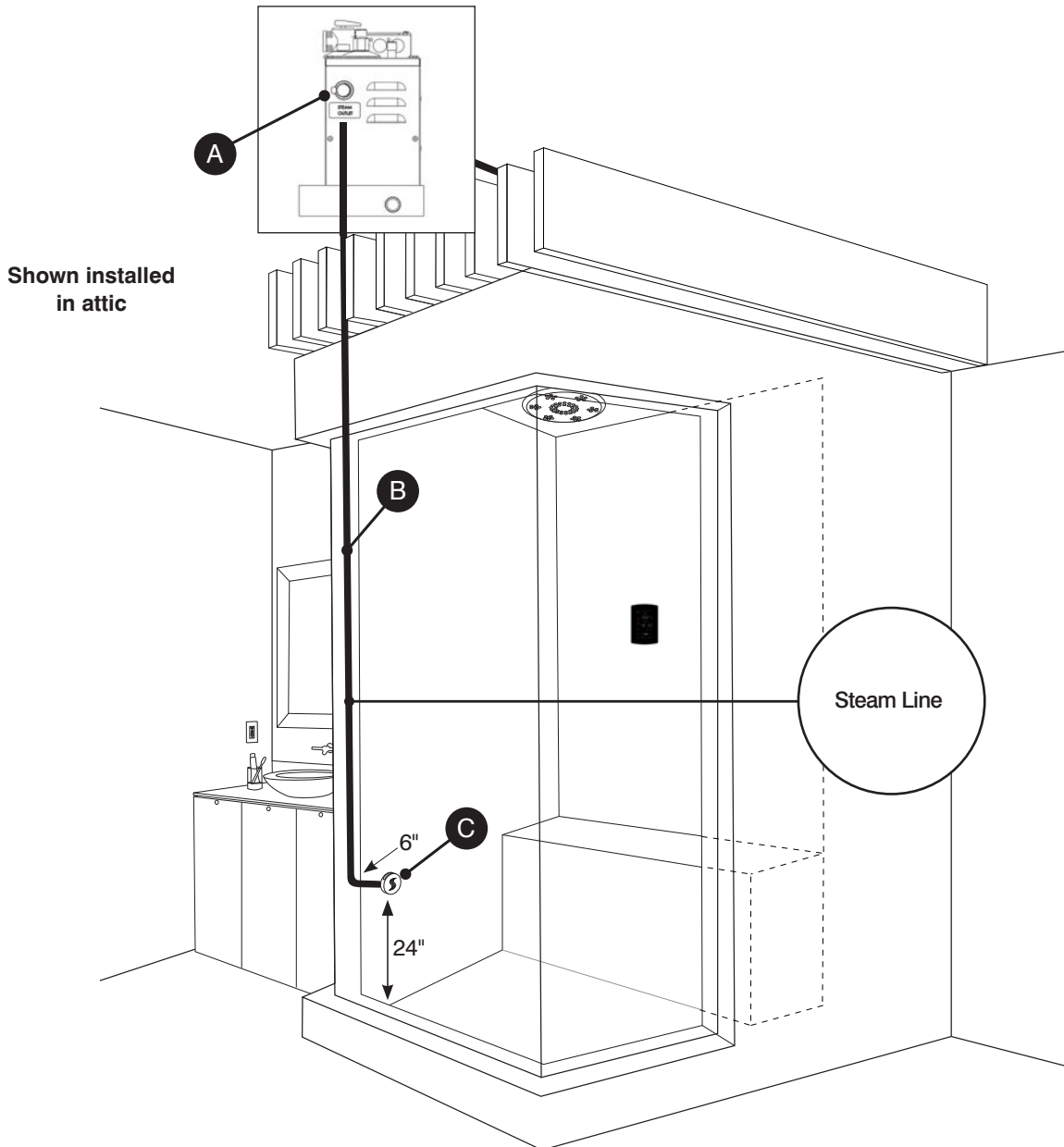
DO NOT plumb any traps in the steam line.

- A** The steam outlet on the generator requires a 1/2" brass union for easy installation (not included).
- B** Use 1/2" brass pipe or copper tubing from unit to steamhead rough-in fitting as permitted by code.

The steam line can run up and then down, once; or horizontal; but never run down and then up. If it does, a steam trap will be produced at the low point blocking the flow of steam.

Insulate the steam outlet piping if the piping run exceeds 10 feet or is exposed to cold areas. Use steam rated insulation.

Pitch/angle steam lines back towards generator before any up or down turns; pitch/angle towards steam room after any up or down and avoid perfectly level plumbed lines.



Steamhead Location

DO NOT install the steamhead near the seating area or the user.

DO NOT forget to install the steamhead rough-in fitting!

C **Install the steamhead 24" from the floor or bathtub rim and 6" from any corner.**

Steamhead is to be mounted as far as possible from typical bathing position (seated or standing) and installed as far from the in-shower controller as possible.

For retrofit to existing finish wall:

Drill a 1-1/8" diameter hole in the shower wall or wall above bathtub rim for the steam outlet rough-in fitting and install to be flush with the finished wall. this housing must be sealed to the wall to not allow vapor or water behind it. (plumbing must be done from backside of finished space)

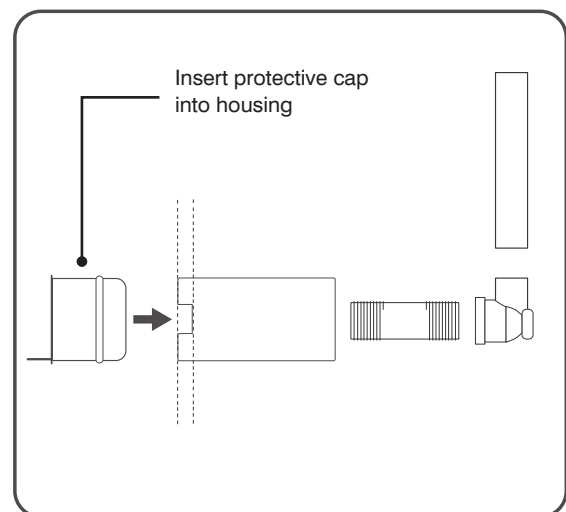
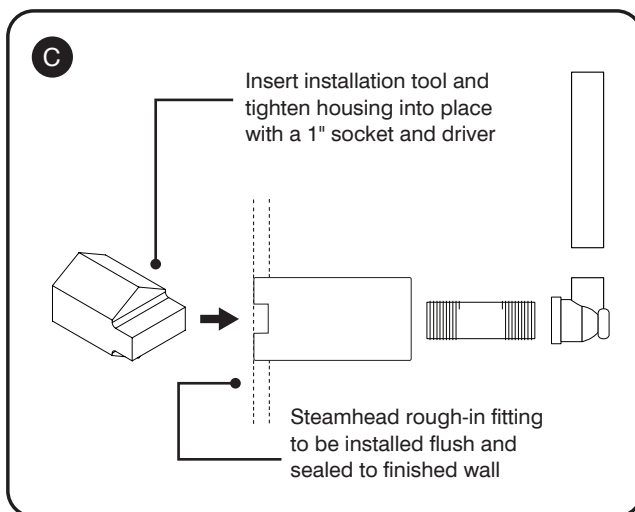
For new framing: Mount and install rough-in fitting to be flush with finished wall.

Connect a 1/2" NPT brass pipe or copper tubing to the steam outlet union (not included) on the generator running the pipe to the steam head location in the wall to connect with the steamhead rough-in fitting. It is very

important that the pipe is firmly secured to the wall, so that when the steamhead is installed it doesn't push the rough-in fitting back into the wall. Install a 1/2" drop ear elbow on the end of the 1/2" pipe or tubing for the rough-in fitting.

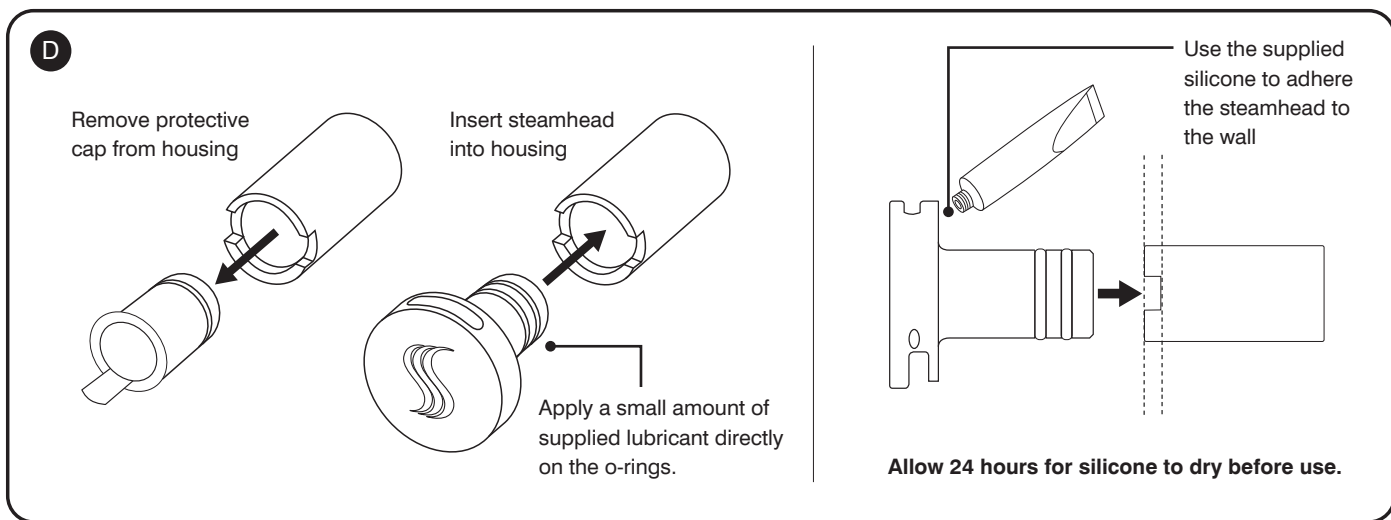
Use the installation tool to tighten the housing in place with a 1" socket and driver. Then insert the protective cap into the housing.


For all the connections, use solder for copper joints and Teflon tape for pipe fittings and do not over tighten fittings. **DO NOT USE PVC CEMENT.**



D Once the shower wall is complete and the housing is sealed to the wall, remove the protective cap and insert the steamhead into housing. Use the supplied silicone to adhere the steamhead to the wall sealing out any water from getting behind the head.

Use supplied o-ring lubricant to assist in steam head installation. A very small amount is all that is need directly on the o-rings.



Upon final installation mount steamhead with  facing up to allow aromatherapy well to dispense steam.

For detailed installation instructions of the steamhead please see Installation section in thermasol.com/customer-support

8 Final Pre-Check Before Operation

Turn ON the water supply to the generator. Check all the connections for leaks.

Plug in generator (unless hardwired model).

Turn ON the power source or breaker.

Verify control panel lights up and test operation. Note: Initial power-on phase takes several minutes for generator to heat up steam.

Please direct the home owner to visit www.thermasol.com/solution and click on the “I’m the home owner” button to learn about set-up and programing (in order to set up the clock and any other options if applicable).

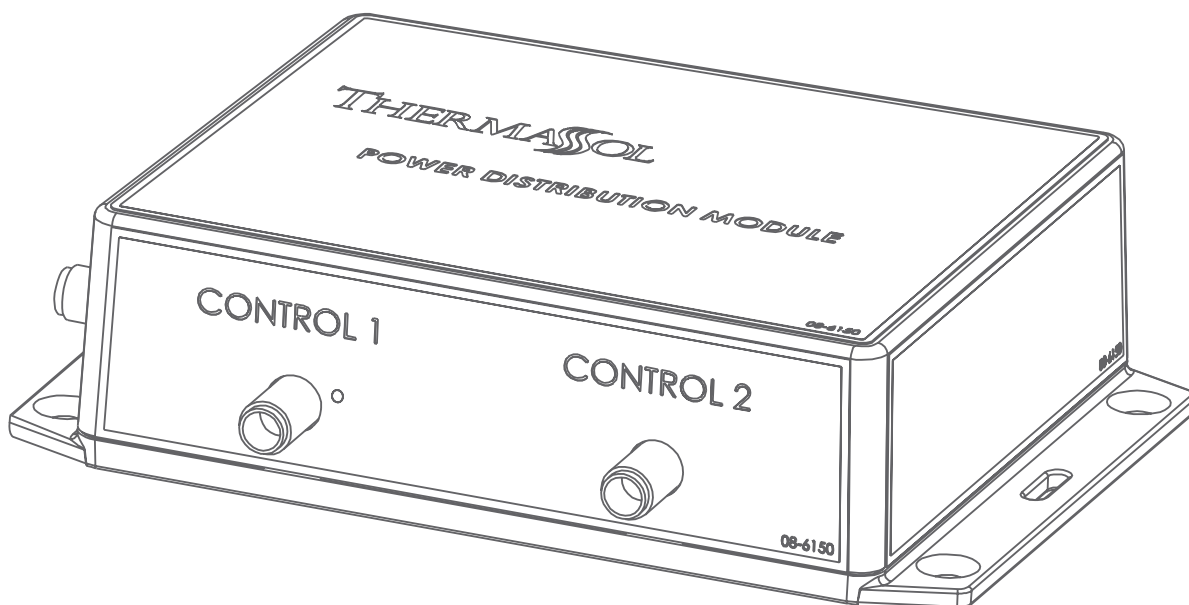
9 Trouble Shooting, Tutorials and Error Codes

Visit www.thermasol.com/solutions. Click on Troubleshoot then click on SignaTouch Control Error Codes.

ThermaSol uses the following open source project:
Qt5-GUI Framework-www.qt.io-LGPLv3



Power Distribution Module



Installation Manual

For Tutorials and Troubleshooting visit www.thermasol.com/solutions

THERMASOL[®]

OVER 60 YEARS OF STEAM SHOWER INNOVATION

1 Important Information before You Install

PLEASE REVIEW WARNINGS BELOW AND LEAVE THIS MANUAL WITH HOMEOWNER

DO NOT USE THIS PRODUCT UNLESS YOU HAVE CONSULTED WITH YOUR DOCTOR AND RECEIVED WRITTEN PERMISSION TO DO SO. USE OF THIS PRODUCT MAY BE HAZARDOUS TO YOUR HEALTH.

PLEASE CONSULT YOUR PHYSICIAN BEFORE USING. IF YOU ARE PREGNANT, ELDERLY, HAVE HIGH BLOOD PRESSURE, DIABETES, SUFFERING FROM HEART DISEASE, ARE INTOXICATED, OR NOT IN GOOD HEALTH, DO NOT USE THIS STEAM BATH.

STEAM IS HOT! DO NOT TOUCH OR GO NEAR THE STEAMHEAD FROM THE TIME THE UNIT IS "ON," UP TO ONE HOUR AFTER IT HAS SHUT OFF. SEVERE BURNS WILL OCCUR IF YOU COME IN CONTACT WITH THE STEAMHEAD OR STEAM EMITTING FROM THE STEAMHEAD.

NEVER ATTEMPT TO FILL AROMA RESERVOIR ON THE STEAMHEAD WHEN UNIT IS IN THE "ON" POSITION. SEVERE BURNS WILL OCCUR.

DO NOT USE THERMASOL AROMATHERAPY OILS, SKIN CARE PRODUCTS OR ANY PRODUCT ASSOCIATED WITH YOUR THERMASOL UNIT WITHOUT CONSULTING WITH YOUR ALLERGIST OR DOCTOR BEFORE USE. THESE PRODUCTS MAY BE HAZARDOUS TO YOUR HEALTH.

DO NOT USE STEAM ROOM WHILE UNDER THE INFLUENCE OF ALCOHOL OR DRUGS, AS THIS CAN BE HAZARDOUS TO YOUR HEALTH.

YOUR SHOWER MAY BE A SLIP-AND-FALL HAZARD. CHECK WITH YOUR CONTRACTOR OR FLOORING MANUFACTURER REGARDING THE SAFE USE OF YOUR FLOORING IN A STEAM APPLICATION. SLIPPING AND FALLING INTO THE STEAMHEAD ITSELF OR INTO THE STREAM OF STEAM EMITTING FROM THE STEAMHEAD WILL CAUSE SERIOUS BURNS OR PHYSICAL INJURY.

IF YOU ARE FEELING UNCOMFORTABLE, DIZZY, FAINT, OR STARTING TO FALL ASLEEP, IMMEDIATELY EXIT THE STEAM ROOM.

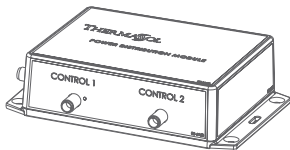
DO NOT USE STEAM ROOM IF YOU ARE UNDER THE AGE OF 16 UNLESS SUPERVISED BY AN ADULT.

THERMASOL STEAM BATH GENERATORS ARE NOT DESIGNED TO BE USED FOR SPACE HEATING PURPOSES.

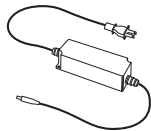
THERMASOL STEAM BATH GENERATORS ARE FOR INDOOR USE ONLY. THEY SHOULD NEVER BE LOCATED OUTSIDE THE HOME.

All products must be installed in accordance with installation instructions provided. Failure to do so may invalidate warranty at manufacturer's discretion.
©2016 ThermaSol.

2 Tools and Materials



PDM
Item 10-8147



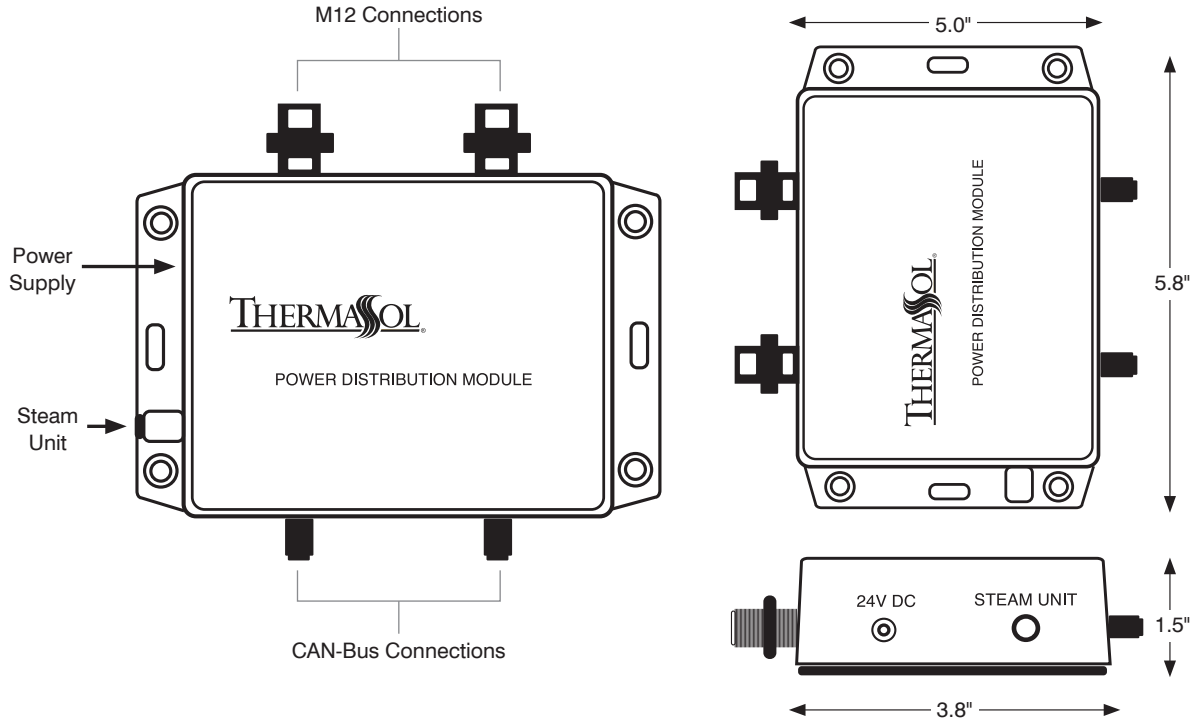
Power Supply Brick
Item 03-7142



Rough-In Guide
Item 92023-001

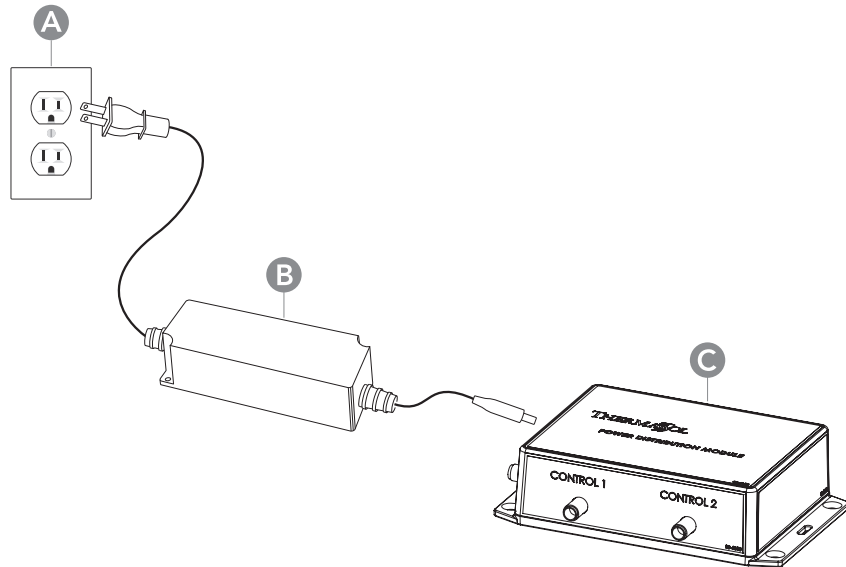
Materials needed:

- o PDM Module
- o Rough-In Guide 92023-001
- o Power Supply (03-7142)



3 Connections

- A 110VAC Power
- B Power Supply
- C PDM Module



Refer to your controller installation instruction for further wiring requirements.

Note: Do not power up the PDM until all connections are made to your controller and accessories.

THERMASOL®

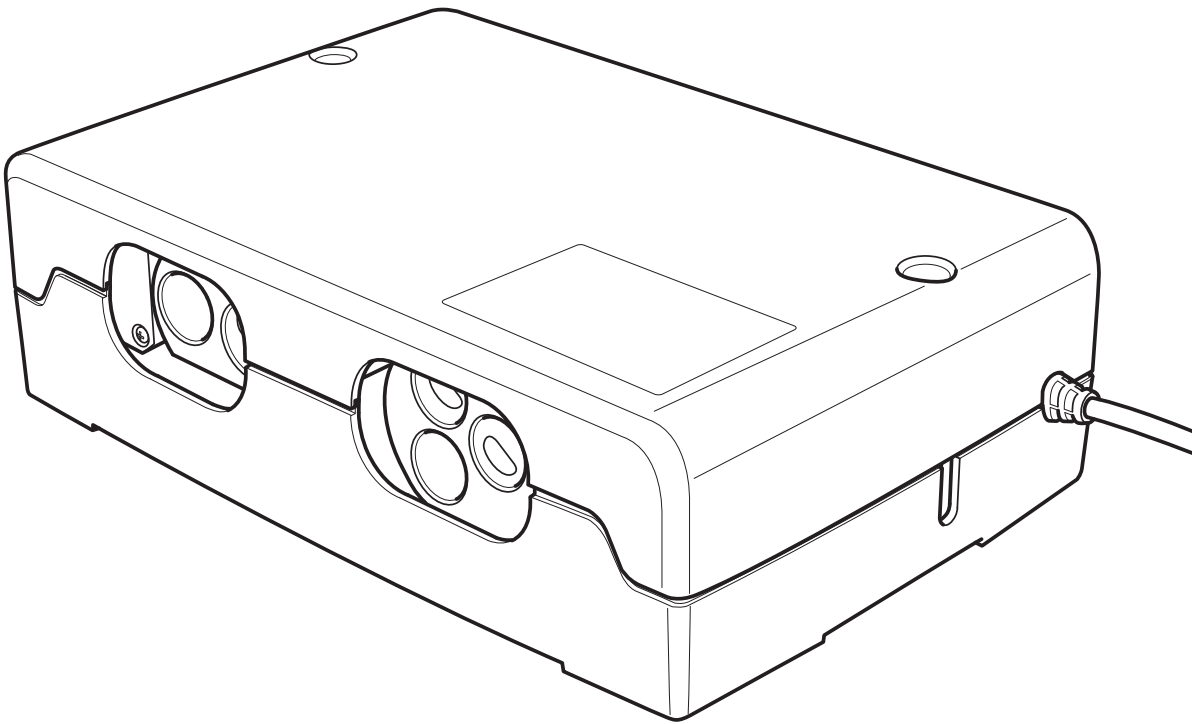
Superior Steamshower Systems



1958 STEAM WAY ROUND ROCK, TX 78665
PHONE: 800.776.0711 | FAX: 800.556.5257 | WWW.THERMASOL.COM

PN: 81191_A

Digital Shower Valve



Installation Manual

TDS-3000

THERMASOL[®]

OVER 60 YEARS OF STEAM SHOWER INNOVATION

1 Important Information Before You Install

Make sure the walls, ceiling and floor materials are suitable for use with this product. Ensure electrical power is turned off for the duration of the installation.

IMPORTANT: The Digital Shower Valve must be accessible and should not be sealed in the wall

PLEASE REVIEW WARNINGS BELOW AND LEAVE THIS MANUAL WITH HOMEOWNER

BEFORE USING THE SHOWER, TEST THE WATER TEMPERATURE WITH YOUR HAND BEFORE FULLY ENTERING THE SHOWER.

DO NOT USE THERMASOL AROMATHERAPY OILS OR SKIN CARE PRODUCTS OR ANY PRODUCT ASSOCIATED WITH YOUR THERMASOL PRODUCT WITHOUT CONSULTING WITH YOUR ALLERGIST OR DOCTOR BEFORE USE. THESE PRODUCTS MAY BE HAZARDOUS TO YOUR HEALTH.

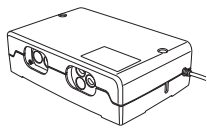
DO NOT USE THIS PRODUCT WHILE UNDER THE INFLUENCE OF ALCOHOL OR DRUGS, AS THIS CAN BE HAZARDOUS TO YOUR HEALTH.

All products must be installed in accordance with installation instructions provided. Failure to do so may invalidate warranty at manufacturer's discretion.

©2018 ThermaSol.

2 Tools and Materials

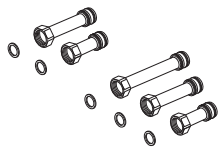
Parts enclosed with the Digital Shower:



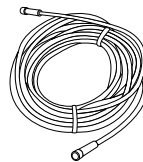
Digital Shower
10.9" x 6.93" x 2.95"



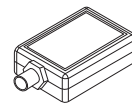
Set of screws,
2 x 5 x 50 mm



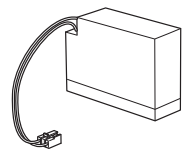
Set of connection nipples
All connections are 1/2" NPT



50-foot CAN-bus cable



Digital Interface

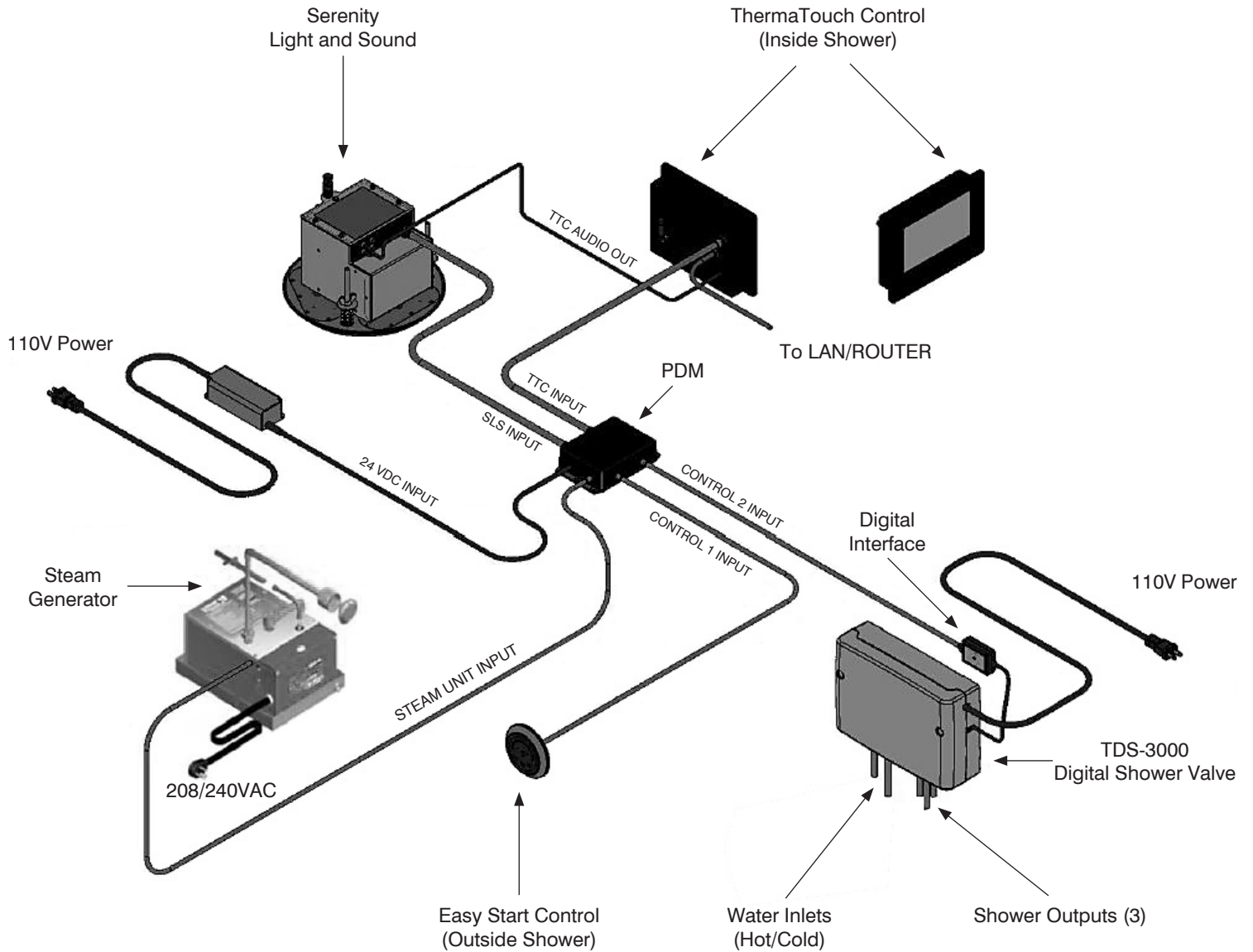


Back up battery

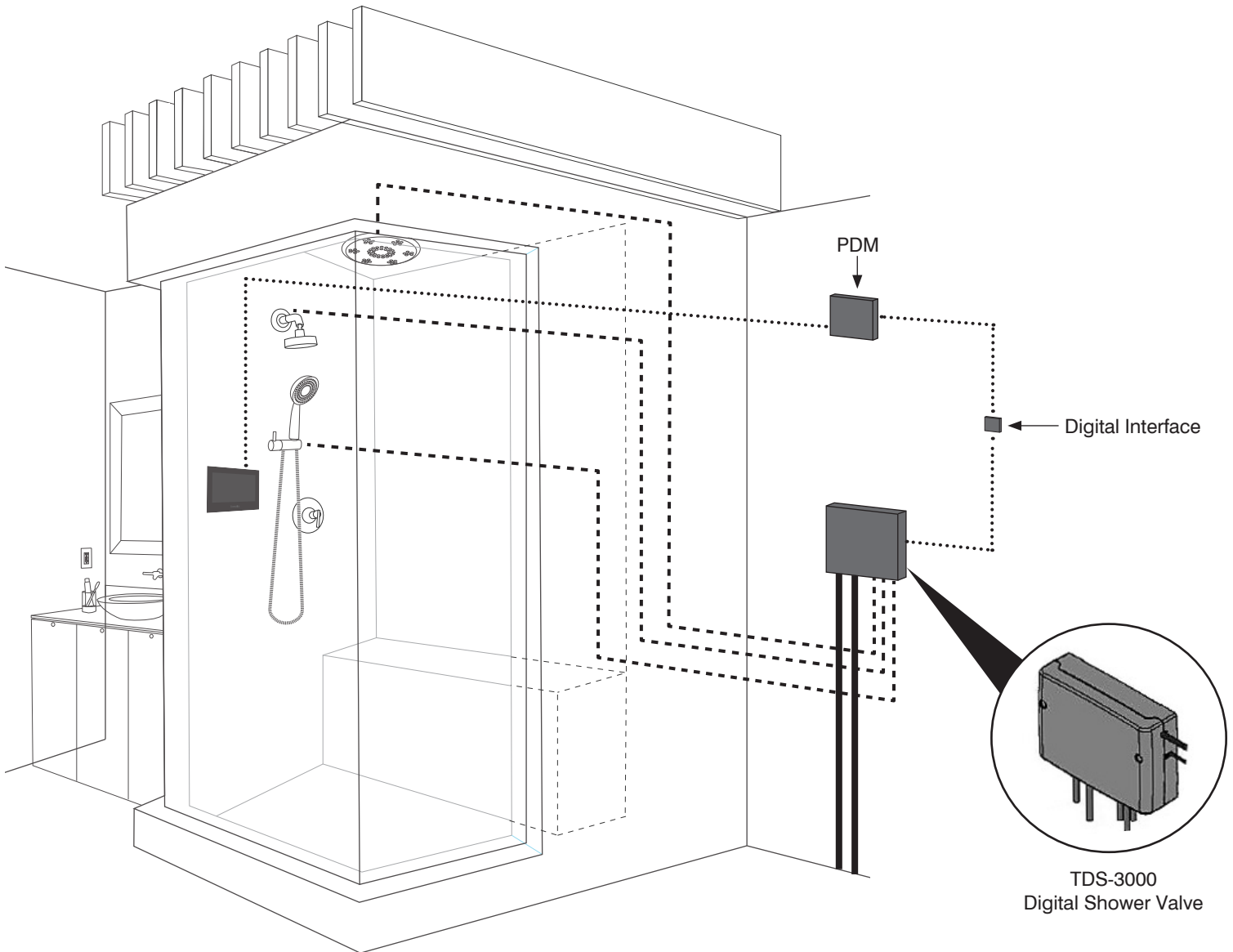
Tools needed:

- o Pencil
- o Drill bit 8 mm
- o Phillips head screwdriver
- o Adjustable wrench
- o Drill
- o Level

3 Typical System Layout

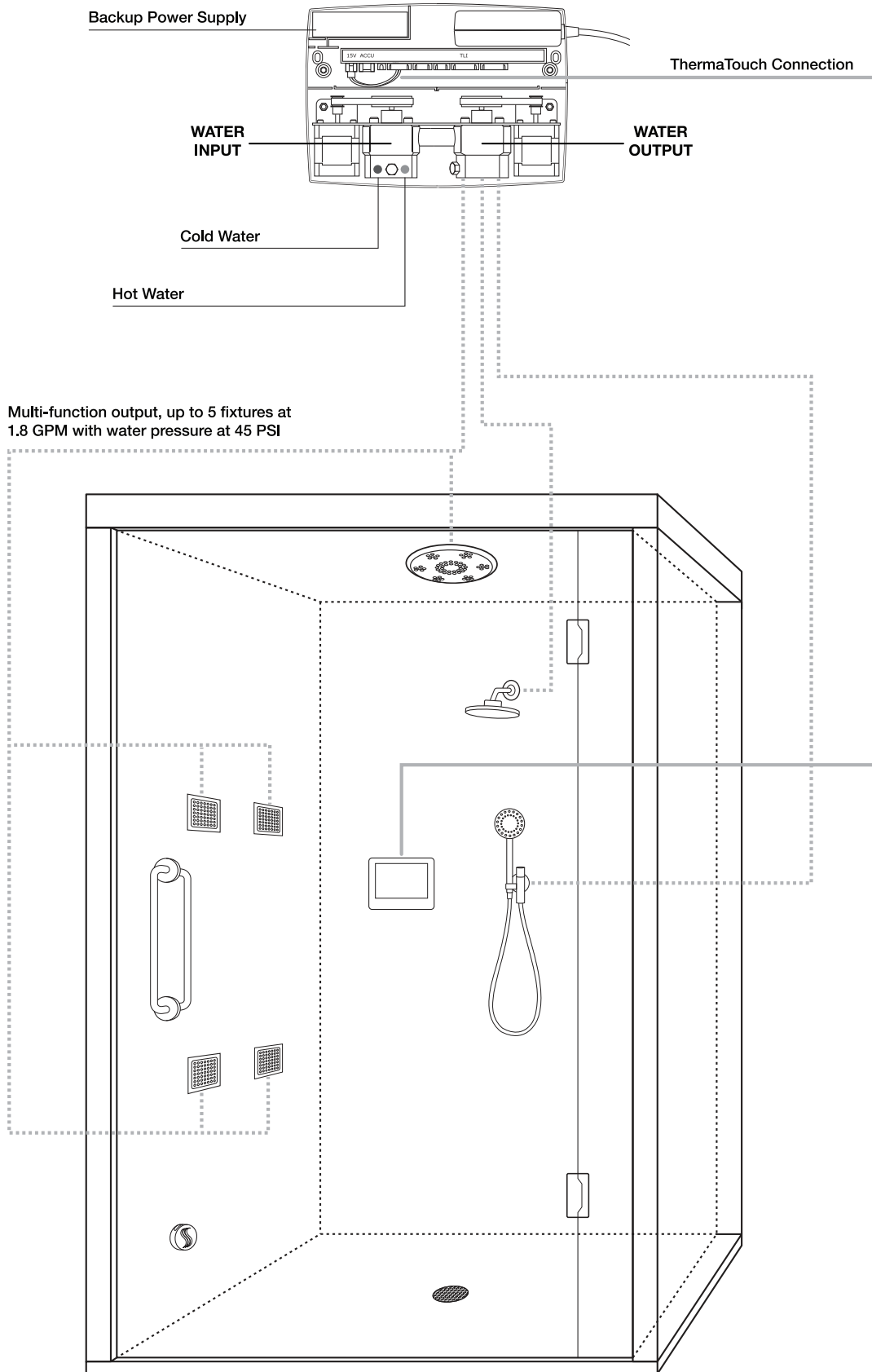


4 Scope of Application

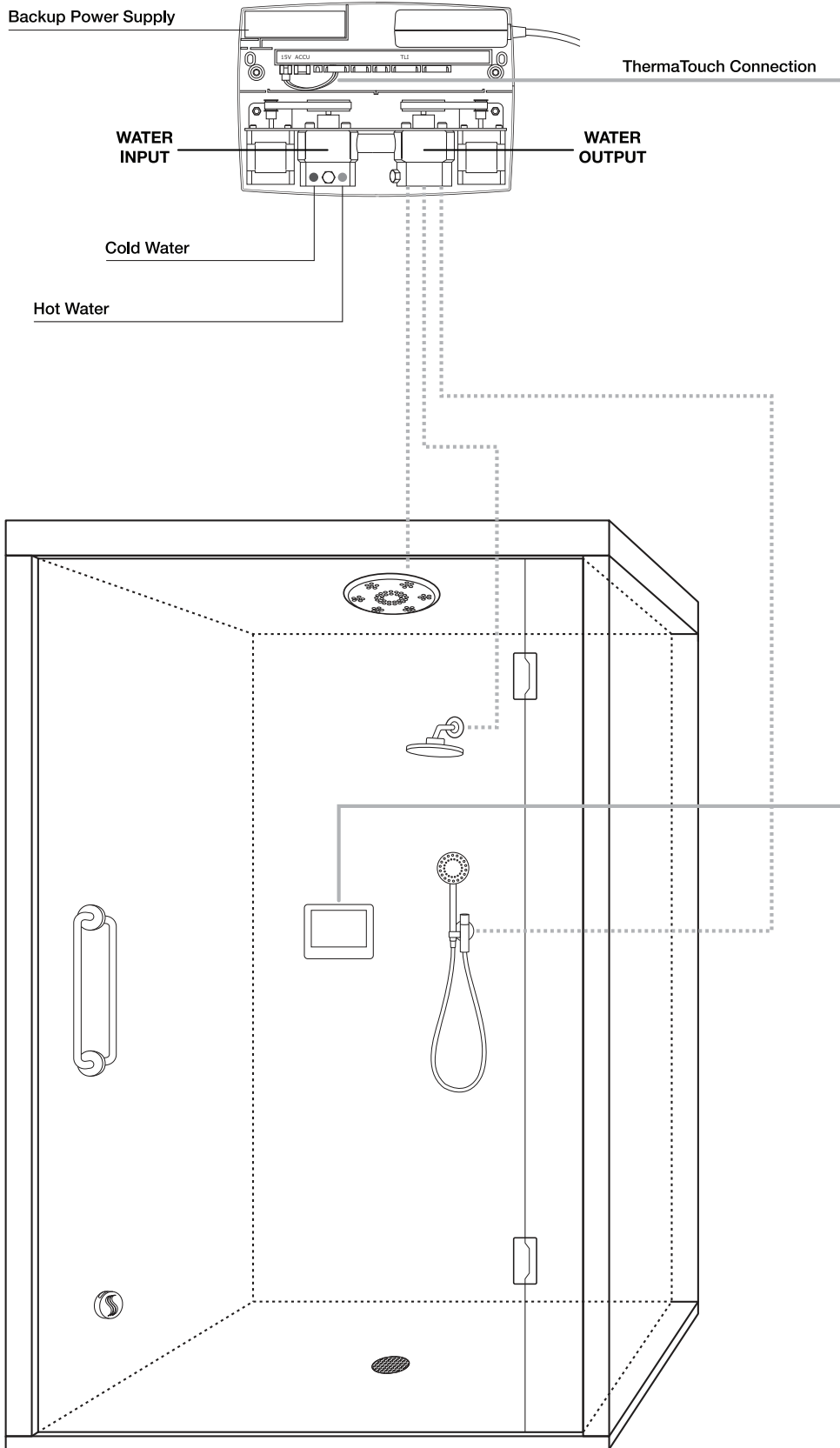


IMPORTANT: The Digital Shower Valve must be accessible and should not be sealed in the wall

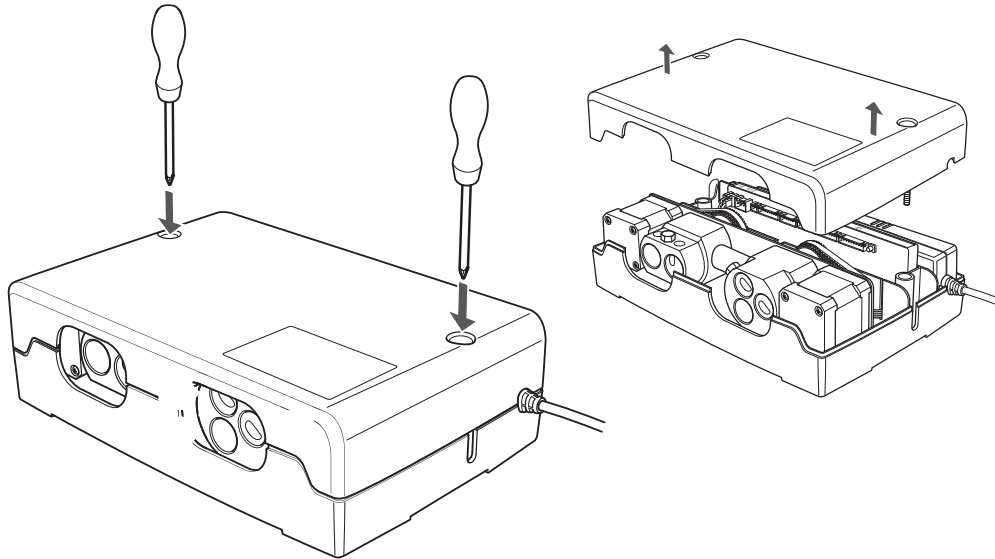
DIGITAL SHOWER VALVE
Multiple components from one port location



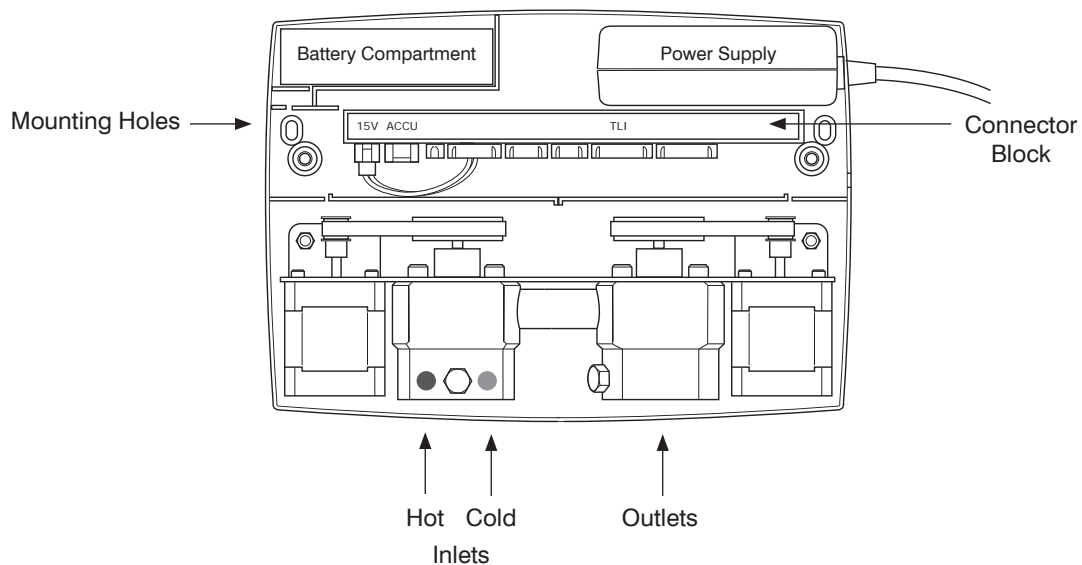
DIGITAL SHOWER VALVE
Multiple components from one port location



5 Remove Cover



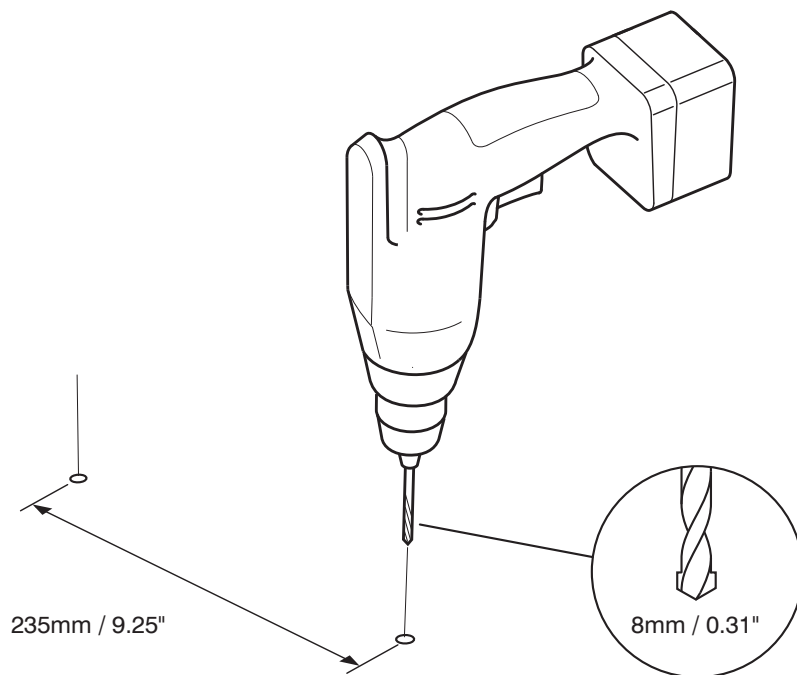
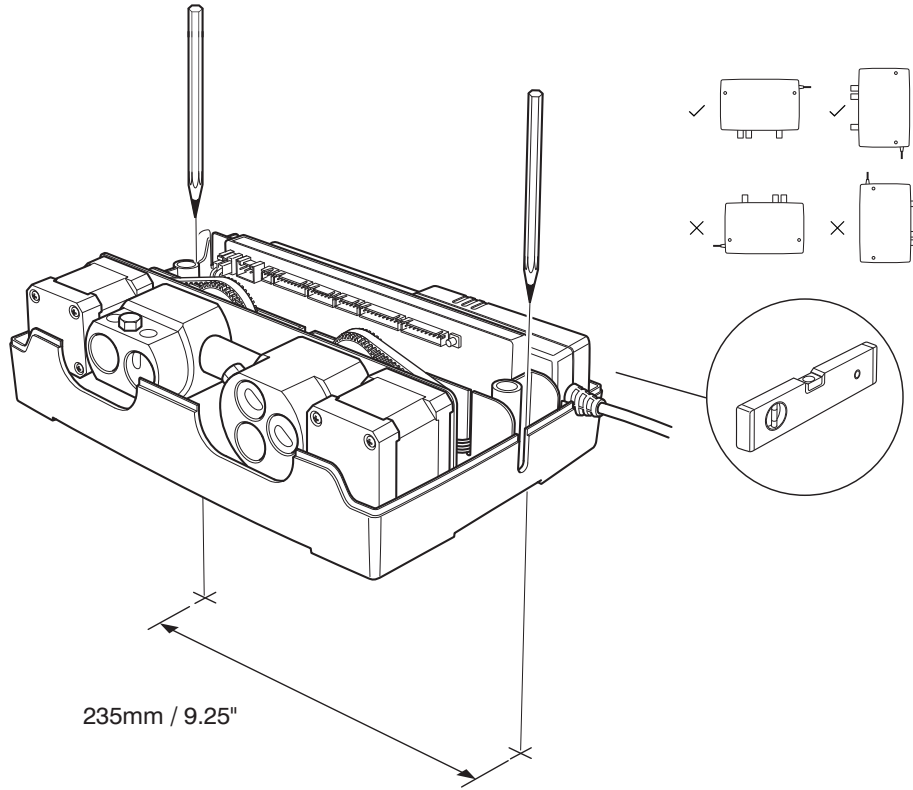
6 Inside Valve System Controller



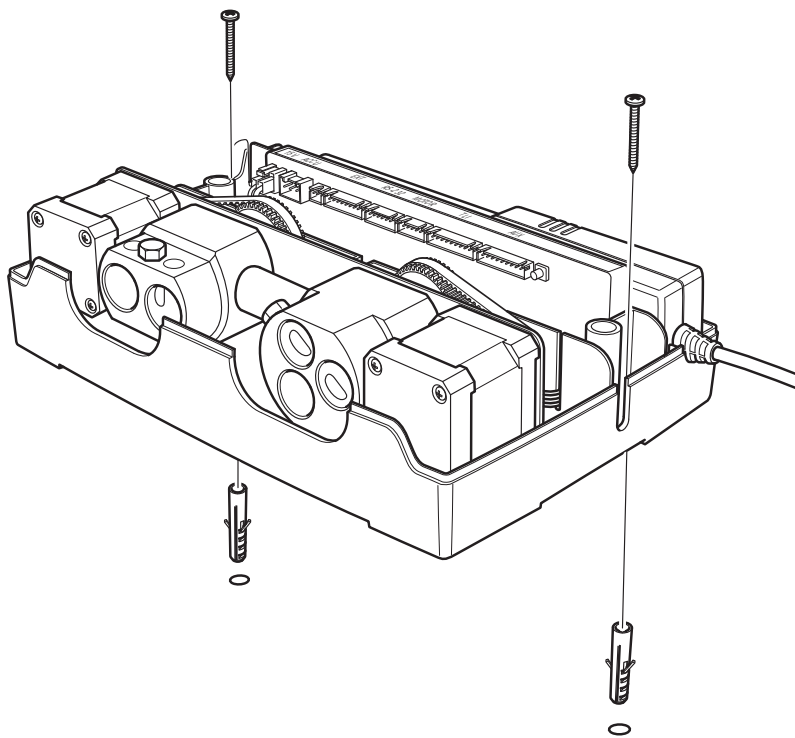
7 Mark and Drill Holes



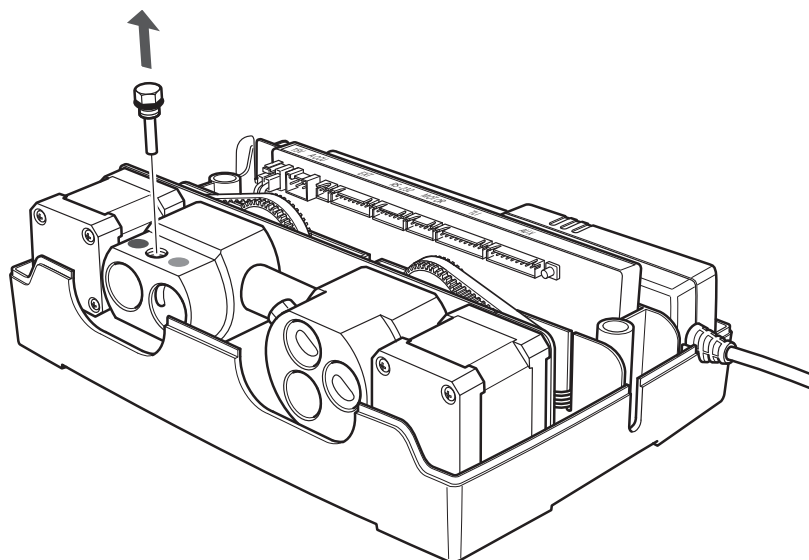
IMPORTANT: The Digital Shower Valve must be installed within 50' of the PDM module.



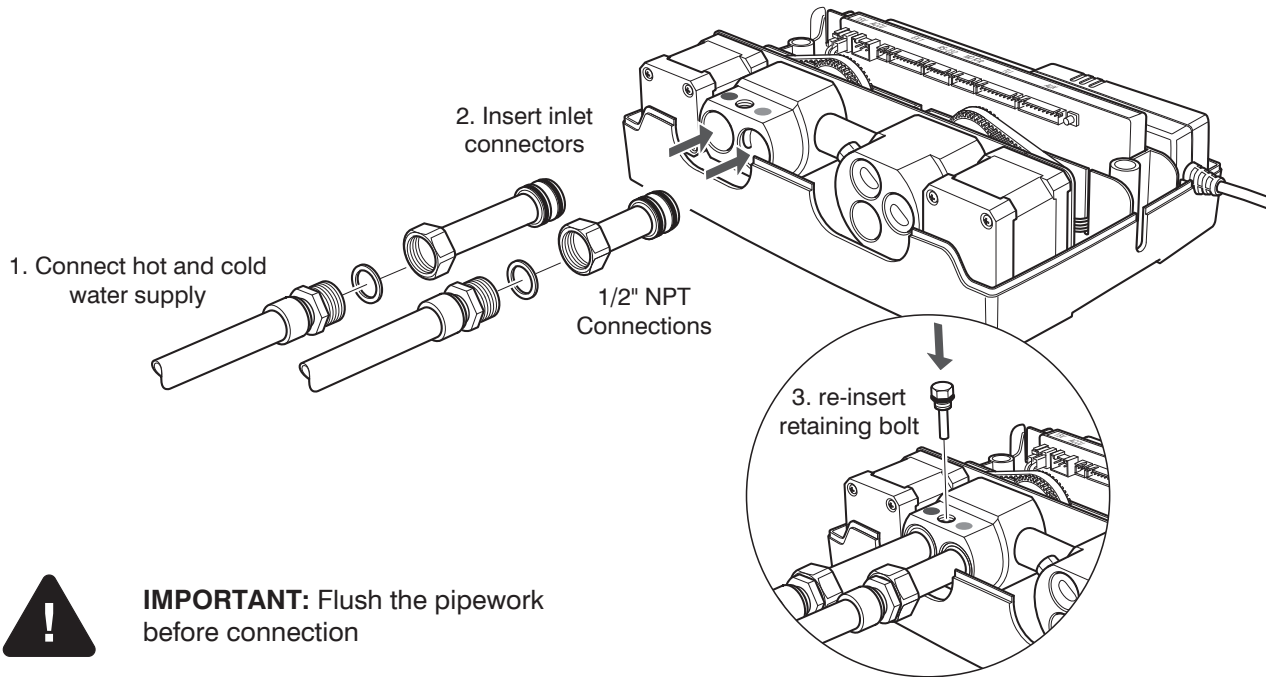
8 Install Valve System Controller



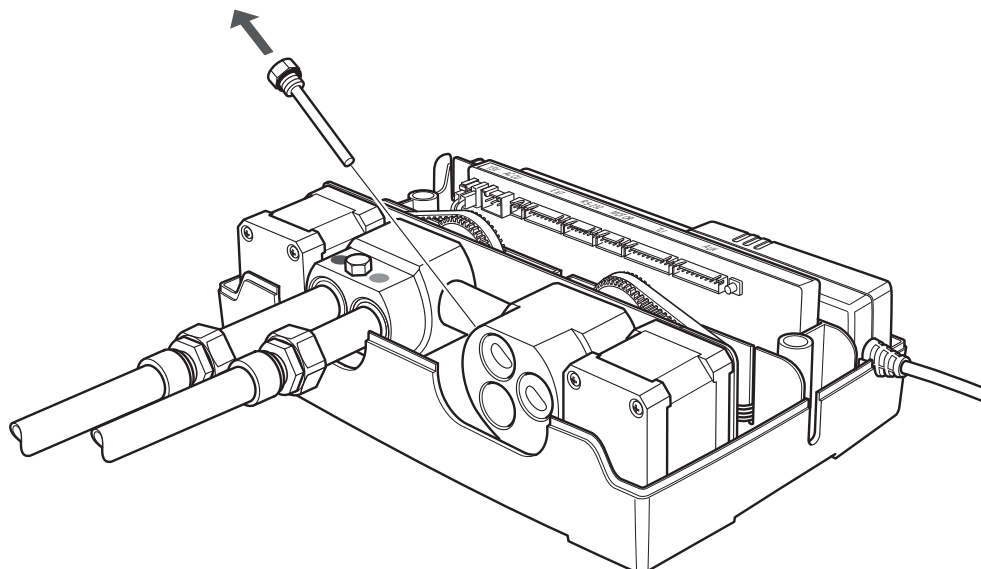
9 Remove Inlet Retaining Bolt



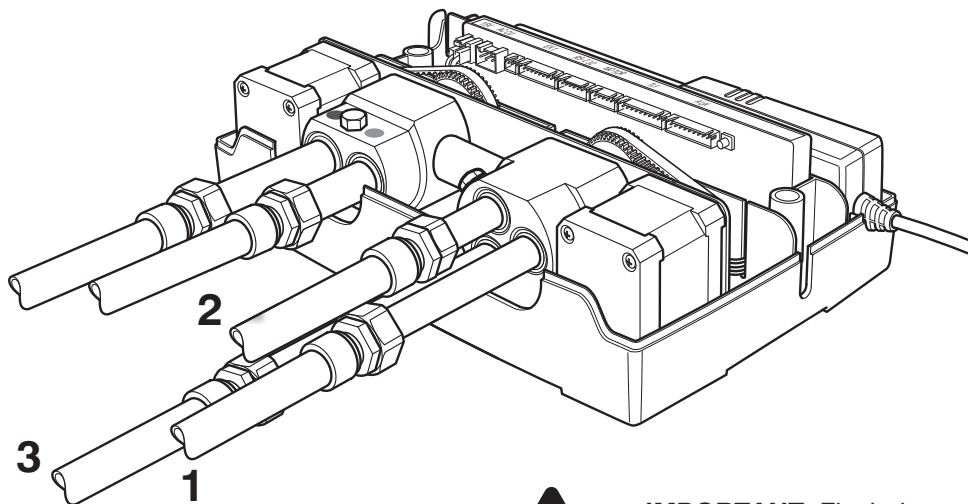
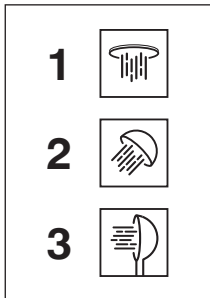
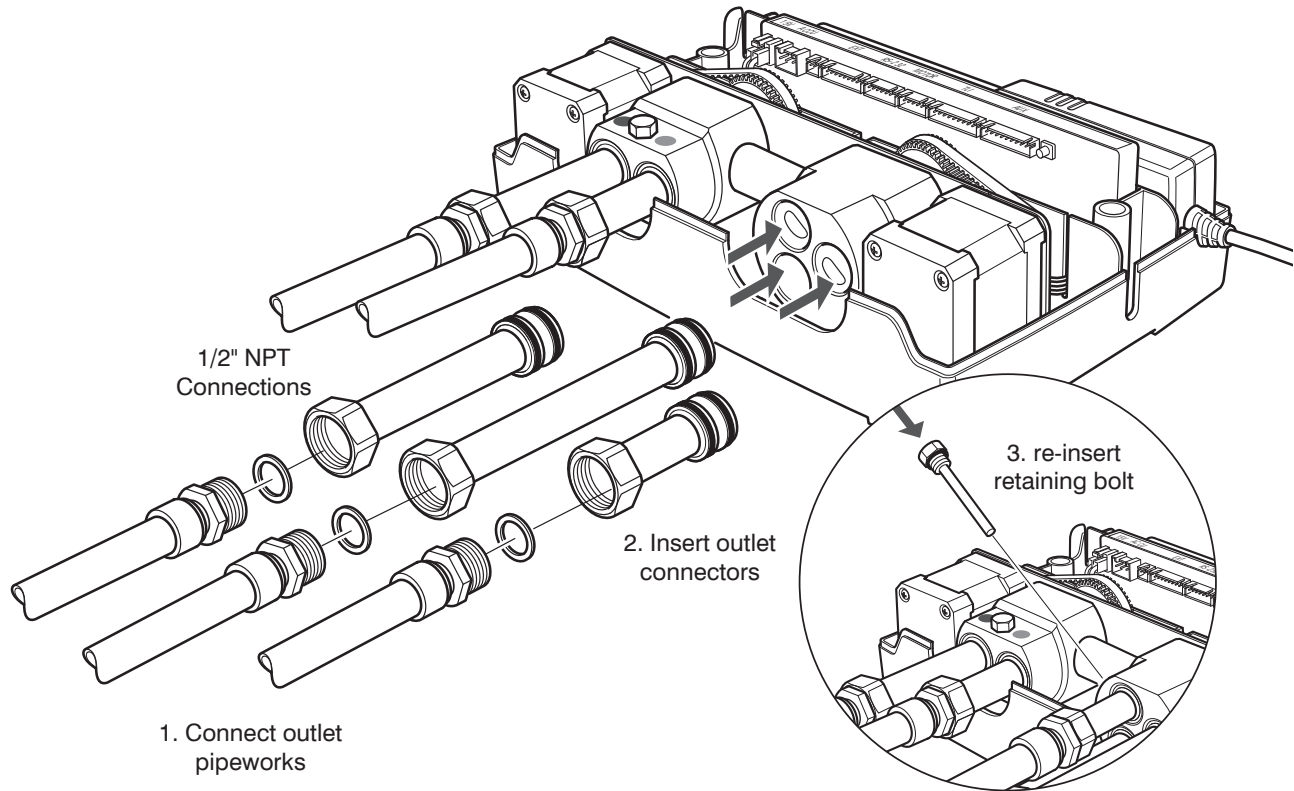
10 Connect Hot and Cold Water Supply



11 Remove Outlet Retaining Bolt

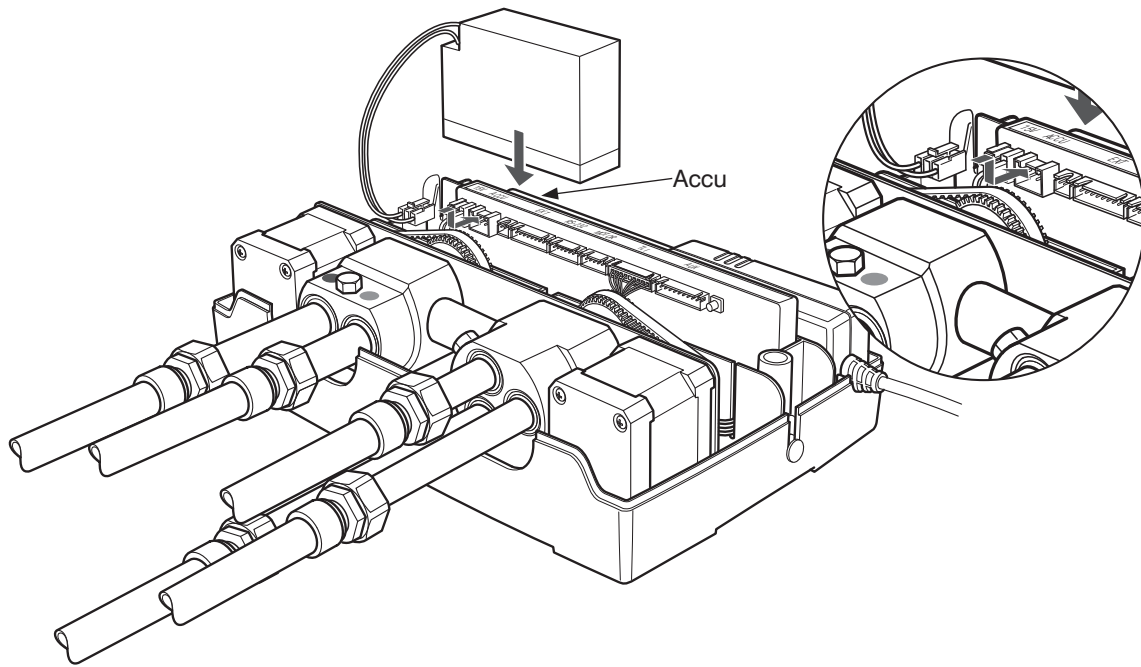


12 Connect Outlet Pipeworks

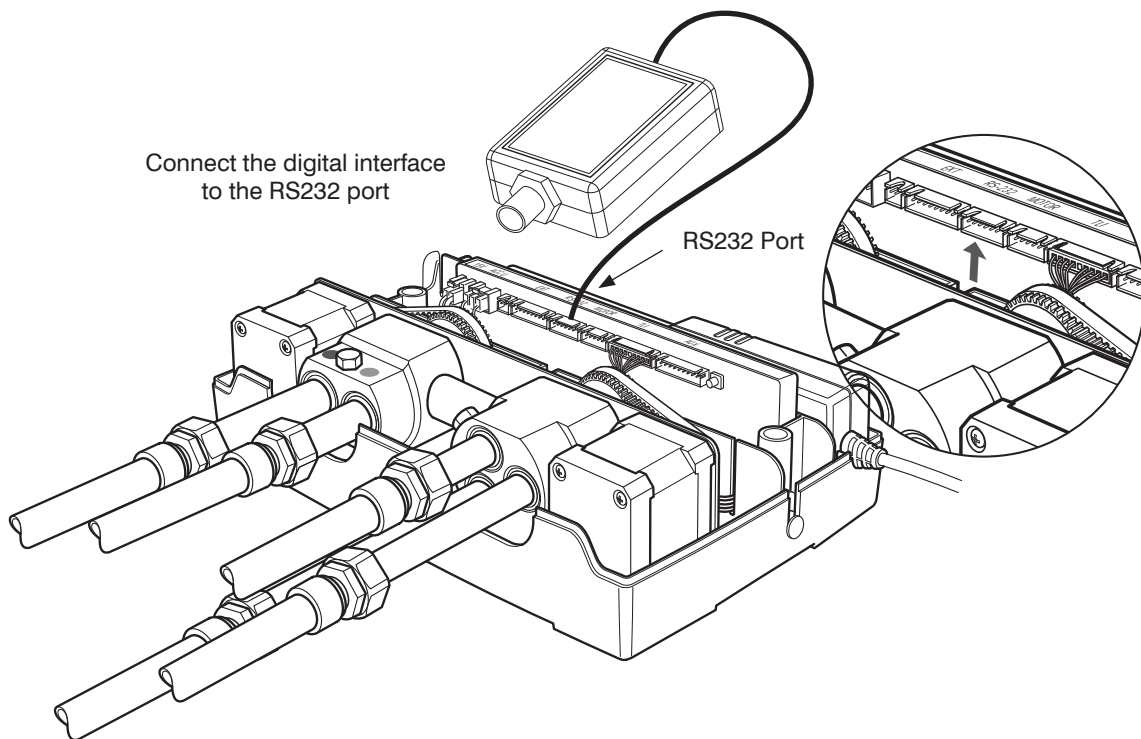


IMPORTANT: Flush the waterlines prior to connecting to clear any debris.

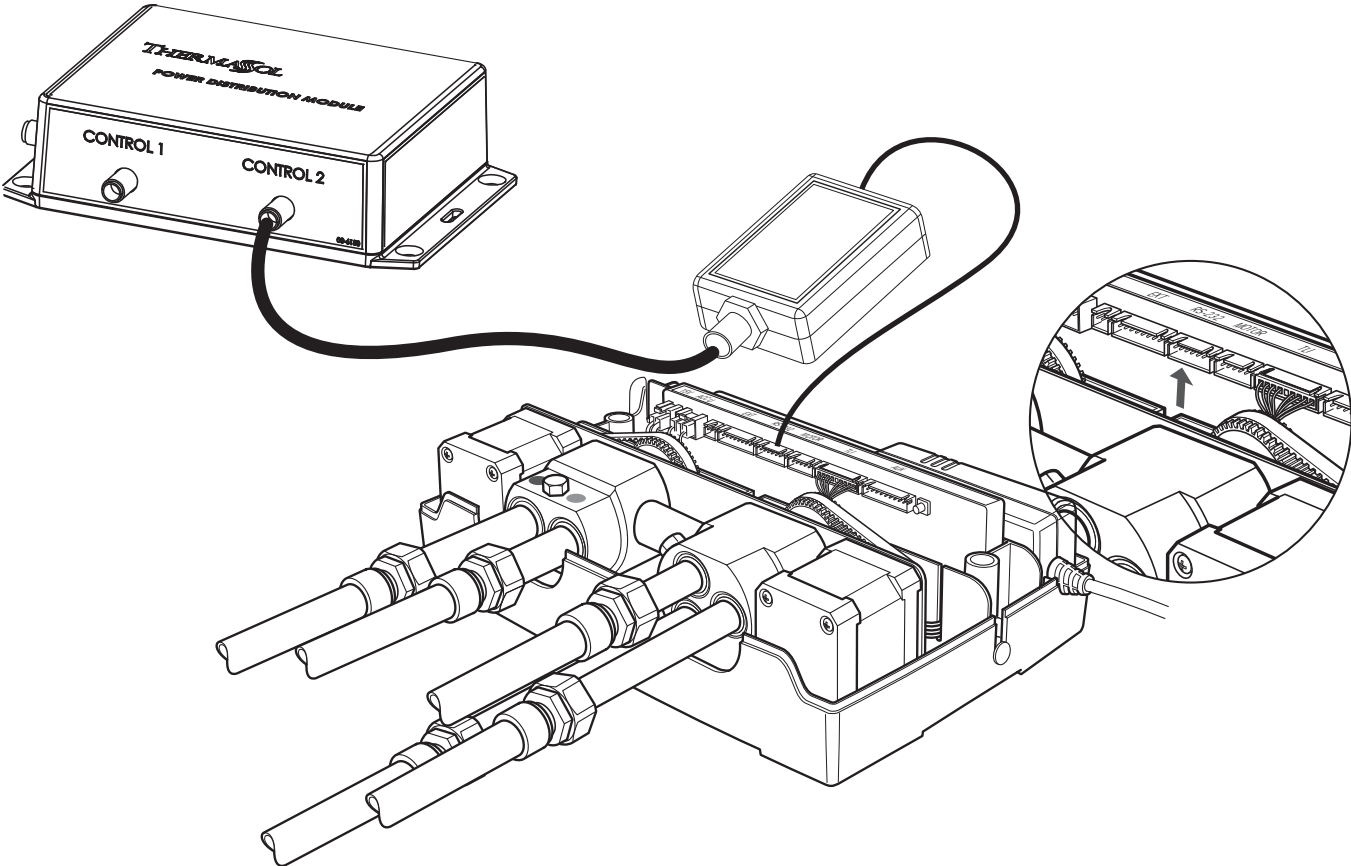
13 Connect Back Up Battery



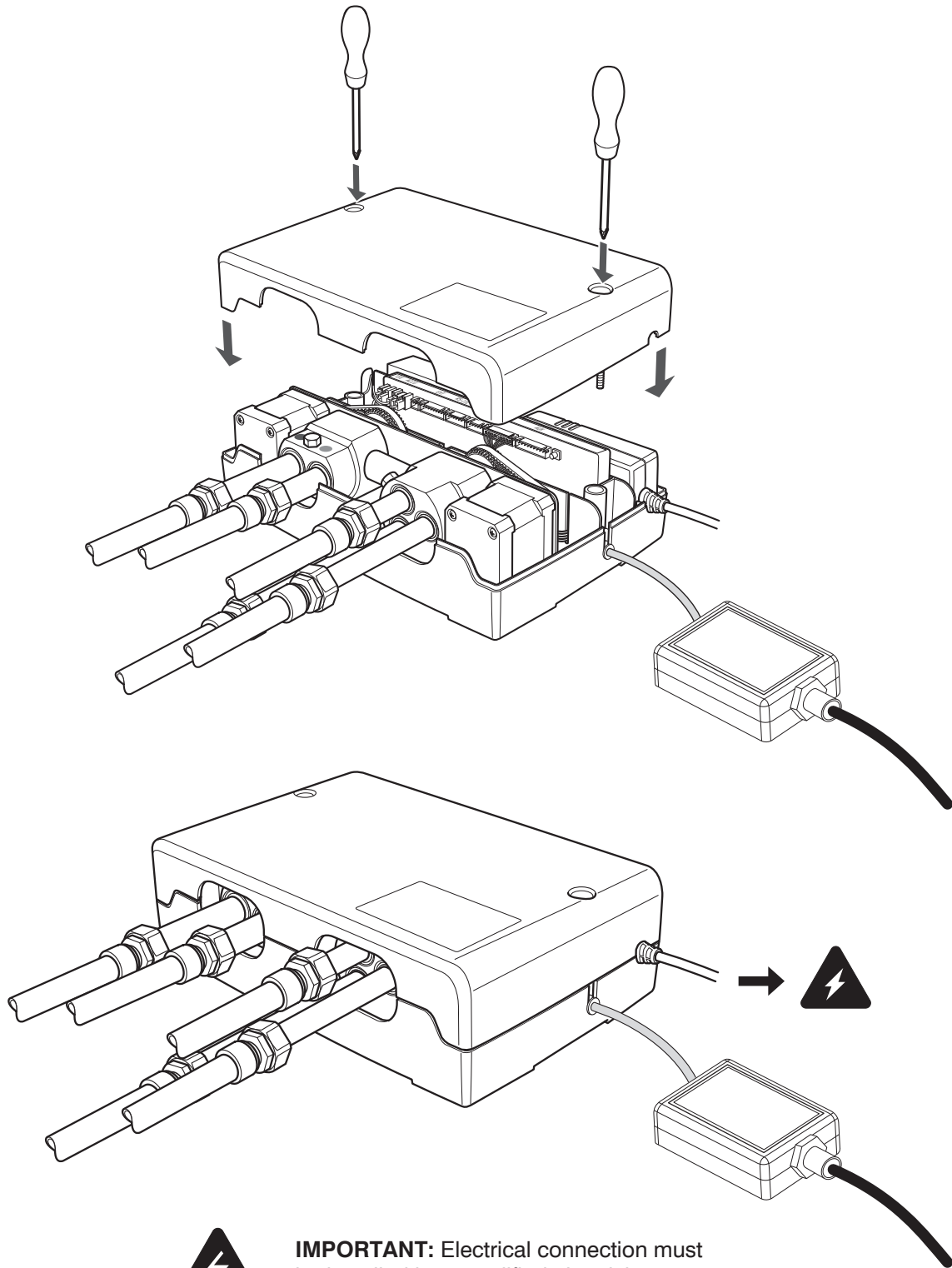
14 Connect The Digital Interface



15 Connect The PDM



16 Re-fit Cover and Connect



IMPORTANT: Electrical connection must be installed by a qualified electrician.

ThermaSol Product Registration

Dear ThermaSol End User:

Please register your product at www.thermasol.com/warranty so we can assist you much quicker if you ever need to contact our Technical Support Department.

In addition we'll keep you informed about your product and time to time we'll update you about new products and other company announcements.

Thank you from all of us at ThermaSol and we wish you many relaxing and steamy days ahead.

We will not sell, rent or share your personal information.



1958 Steam Way
Round Rock, TX 78665

Product Warranty

This warranty shall extend only to the original retail purchaser or end user of the product and are contingent on the proper use of the product in accordance with the instructions and specifications published by ThermaSol and shall not apply to any product that has been repaired or modified by persons other than approved by ThermaSol. Proof of purchase from Authorized Reseller will be required to start any warranty process except where prohibited by law. These warranties are not valid for any product that is sold with defaced or altered serial number, or for any product that was purchased used, refurbished, "as is", or in unknown condition.

All warranty claims must go through ThermaSol directly.

Limited Warranty

ThermaSol extends to the original purchaser a 1-year limited warranty to repair or replace (at its discretion) Digital Shower Valve parts found to have manufacturing defects.

Exclusions

These warranties will be terminated by ThermaSol for the following reasons:

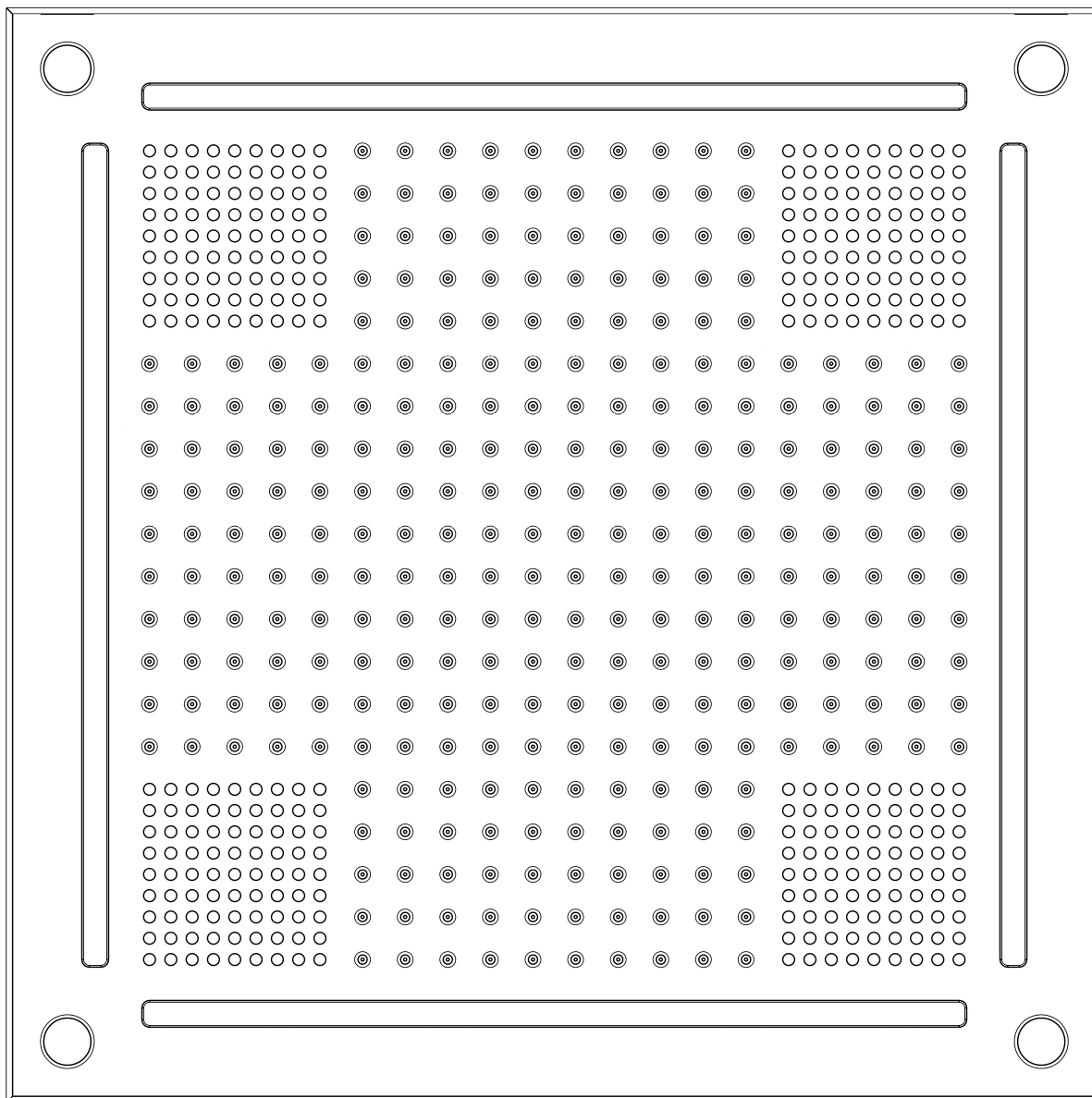
1. Improper installation, such as installation that fails to observe National/Local Plumbing and/or Electrical codes.
2. Use of the system in a non-residential or commercial application, including a hotel.
3. Service to equipment by unauthorized personnel.
4. Installation that does not permit proper access for service.
5. Non-payment of repairs not covered under warranty.
6. Modification to any part of the unit.
7. Use of non-ThermaSol repair parts.
8. Alteration or removal of product serial number.

Limitations

These warranties will be terminated by ThermaSol for the following reasons:

1. ThermaSol will not be liable in any way for any indirect, special, incidental, exemplary, or consequential damages resulting from the sale, delivery, installation or use of its products. Users are responsible for suitability of the products for their application. Damage resulting from improper specification or application or other operating conditions beyond ThermaSol's control is not under warranty.
2. ThermaSol will not exercise reasonable efforts in rendering service under these warranties, but shall not be liable for any damage arising out of delays; these warranties only cover the repair and/or replacement of ThermaSol product as specified by the warranty.
3. ThermaSol does not guarantee that a local service person will be available for in-home services. Unit may have to be removed and reinstalled at owner's expense. It is the responsibility of the buyer to file a claim with the carrier/carriers for any product that has shipping damage to or from ThermaSol. An EVA (Evaluation Number) must be obtained from the factory and used on any correspondence or packages sent to the factory.
4. THESE WARRANTIES ARE NON-TRANSFERABLE TO ANY OTHER PURCHASER OR PARTY OTHER THAN THE ORIGINAL PURCHASER FROM AN AUTHORIZED DEALER. THESE WARRANTIES ARE NOT VALID FOR ANY PRODUCTS SOLD USED, REFURBISHED, "AS IS", OR IN UNKNOWN CONDITION. NO OTHER AGENT OR PARTY CAN GIVE ANY OTHER WARRANTY OR PROMISE. THESE ARE THE SOLE WARRANTIES FOR YOUR THERMASOL PRODUCT, EXCEPT AS PROVIDED BY LAW.

These warranties give you specific legal rights and you may also have other rights, which may vary, from state to state. Determination of rights under these warranties is in accordance with the laws of Texas. Any dispute under these warranties must be submitted and resolved by arbitration in Texas.



Installation Manual

For Tutorials and Troubleshooting visit www.thermasol.com/solutions

HVLSRSQ-XX



OVER 60 YEARS OF STEAM SHOWER INNOVATION

1 Important Information Before You Install

PLEASE REVIEW WARNINGS BELOW AND LEAVE THIS MANUAL WITH HOMEOWNER

DO NOT USE THIS PRODUCT UNLESS YOU HAVE CONSULTED WITH YOUR DOCTOR AND RECEIVED WRITTEN PERMISSION TO DO SO. USE OF THIS PRODUCT MAY BE HAZARDOUS TO YOUR HEALTH.

PLEASE CONSULT YOUR PHYSICIAN BEFORE USING. IF YOU ARE PREGNANT, ELDERLY, HAVE HIGH BLOOD PRESSURE, DIABETES, SUFFERING FROM HEART DISEASE, ARE INTOXICATED, OR NOT IN GOOD HEALTH, DO NOT USE THIS STEAM BATH.

STEAM IS HOT! DO NOT TOUCH OR GO NEAR THE STEAMHEAD FROM THE TIME THE UNIT IS "ON," UP TO ONE HOUR AFTER IT HAS SHUT OFF. SEVERE BURNS WILL OCCUR IF YOU COME IN CONTACT WITH THE STEAMHEAD OR STEAM EMITTING FROM THE STEAMHEAD.

NEVER ATTEMPT TO FILL AROMA RESERVOIR ON THE STEAMHEAD WHEN UNIT IS IN THE "ON" POSITION. SEVERE BURNS WILL OCCUR.

DO NOT USE THERMASOL AROMATHERAPY OILS, SKIN CARE PRODUCTS OR ANY PRODUCT ASSOCIATED WITH YOUR THERMASOL UNIT WITHOUT CONSULTING WITH YOUR ALLERGIST OR DOCTOR BEFORE USE. THESE PRODUCTS MAY BE HAZARDOUS TO YOUR HEALTH.

DO NOT USE STEAM ROOM WHILE UNDER THE INFLUENCE OF ALCOHOL OR DRUGS, AS THIS CAN BE HAZARDOUS TO YOUR HEALTH.

YOUR SHOWER MAY BE A SLIP-AND-FALL HAZARD. CHECK WITH YOUR CONTRACTOR OR FLOORING MANUFACTURER REGARDING THE SAFE USE OF YOUR FLOORING IN A STEAM APPLICATION. SLIPPING AND FALLING INTO THE STEAMHEAD ITSELF OR INTO THE STREAM OF STEAM EMITTING FROM THE STEAMHEAD WILL CAUSE SERIOUS BURNS OR PHYSICAL INJURY.

IF YOU ARE FEELING UNCOMFORTABLE, DIZZY, FAINT, OR STARTING TO FALL ASLEEP, IMMEDIATELY EXIT THE STEAM ROOM.

DO NOT USE STEAM ROOM IF YOU ARE UNDER THE AGE OF 16 UNLESS SUPERVISED BY AN ADULT.

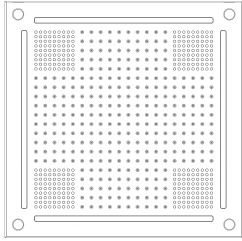
THERMASOL STEAM BATH GENERATORS ARE NOT DESIGNED TO BE USED FOR SPACE HEATING PURPOSES.

THERMASOL STEAM BATH GENERATORS ARE FOR INDOOR USE ONLY. THEY SHOULD NEVER BE LOCATED OUTSIDE THE HOME.

ALL PRODUCTS MUST BE INSTALLED IN ACCORDANCE WITH INSTALLATION INSTRUCTIONS PROVIDED. FAILURE TO DO SO MAY INVALIDATE WARRANTY AT MANUFACTURER'S DISCRETION. ©2021 THERMASOL.

2 Tools and Materials

Parts Enclosed:



HydroVive Light, Sound, Rain Head fixture and hardware
Item HVLSRSQ-XX



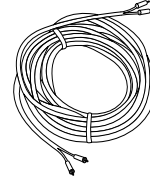
Wood Screw
#10 x 3.5" x 4



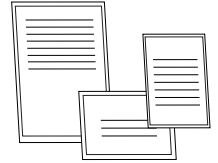
Silicone



25' Yellow M12 Cable
Item 03-7149-25



25' Audio Cable
Item 03-7140



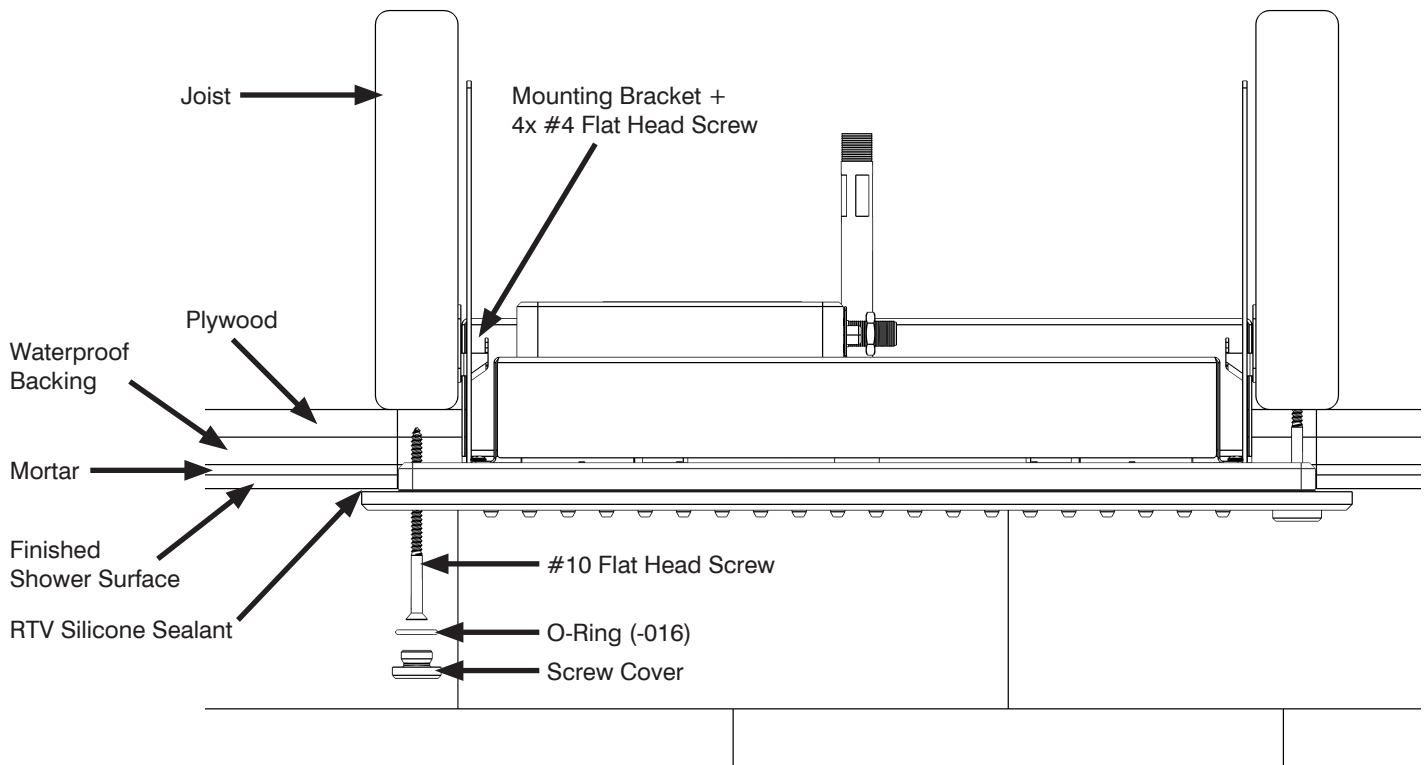
Installation instructions

Compatible Controls:

ThermaTouch 7" and 10"

Materials needed:

- PDM (Item 10-8147)
- Compatible controller
- Drill
- Tile Cutter
- Ply Wood Backing Board
- 36" long 3/8" Compression Flexible Water Line
- Separate water volume control diverter with shut off valve



(Fig. 1) Installation Profile View

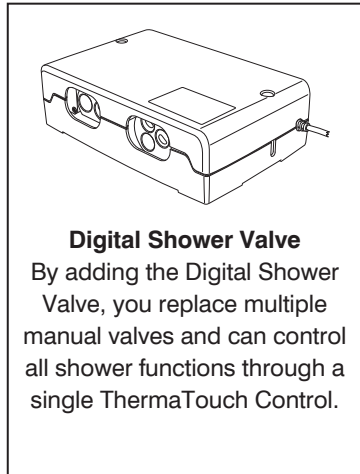
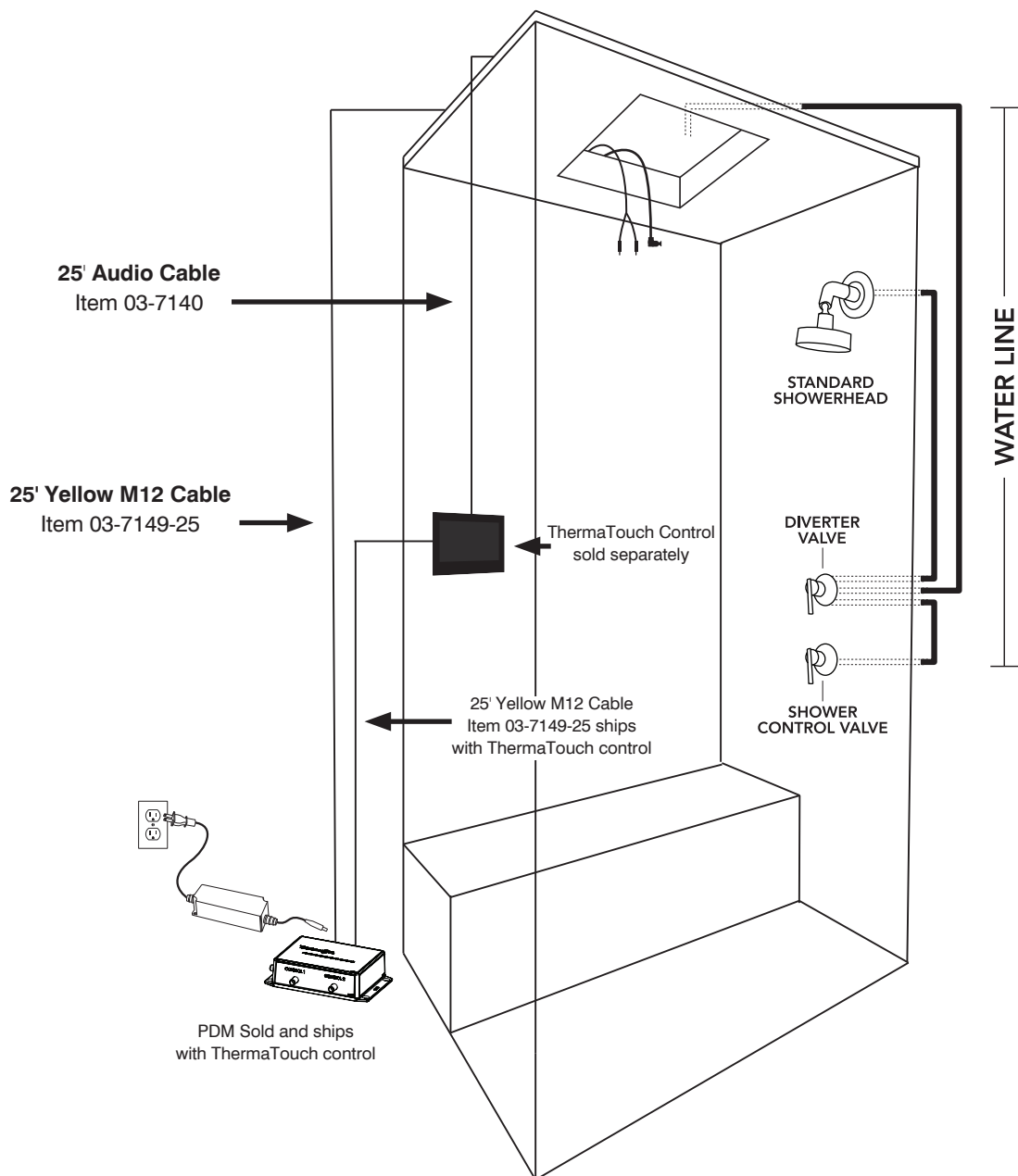
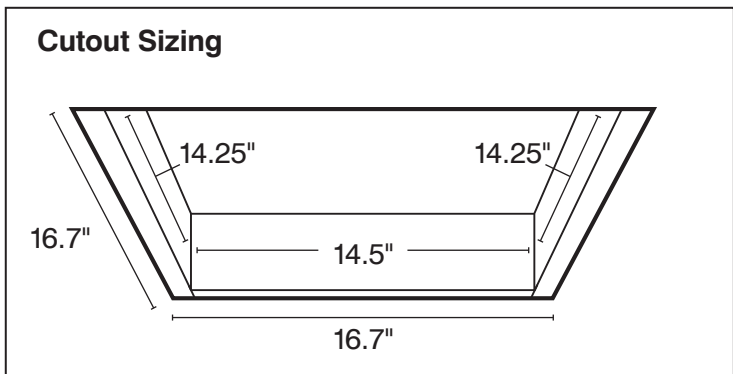
3 Placement and Cutout

Cut a 16.7" square out of your ceiling and frame it in.

Once framed in, you'll want a minimum clearance of 14.45" x 14.25" for comfortable installation. Framing studs should be on 16" Centers.

Put all your connections through the hole as the rest of the installation will be completed from inside the shower.

NOTE: HydroVive weighs 37 lbs. It must be mounted to a framed structure that can support its weight.

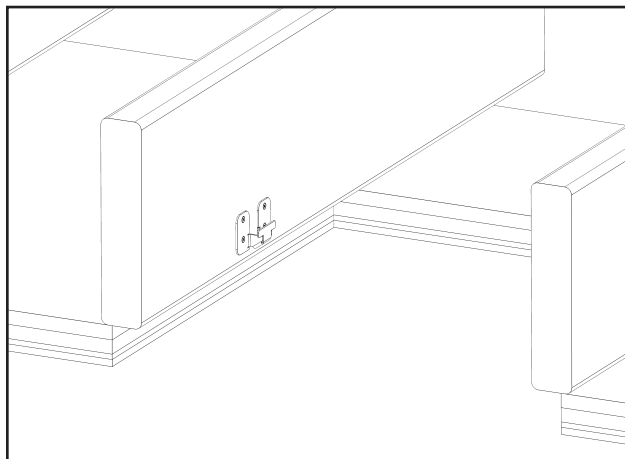


4 Mounting Brackets

Measure and locate the midpoints on each 14.25" side of the cutout. The midpoints are where you'll install the mounting brackets, each mounting bracket will require 4-3/4" (included) wood screws.

WARNING: READ BEFORE PROCEEDING:

The HydroVive weighs 37 lbs. and overhead lifting is required to continue installation. Please be cautious and practice ladder safety.

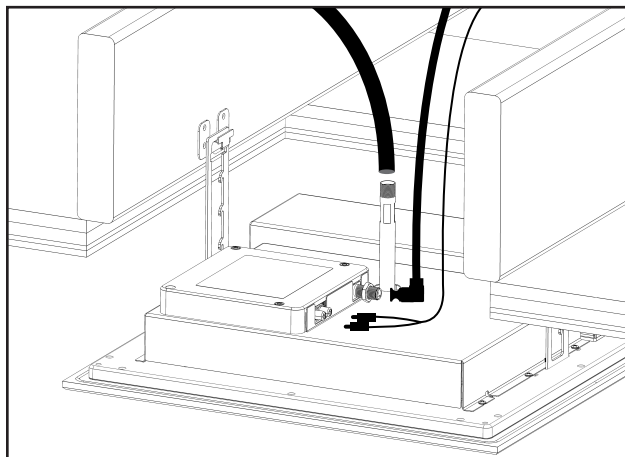


5 Connecting HydroVive

NOTE: Make sure electrical power is off to all ThermaSol devices prior to making any connections.

Align the notches at the top of the mounting guides with the mounting brackets and slip them over to firmly secure the HydroVive in place while the connections are made. With HydroVive secured on the mounting brackets, angle the unit to gain access and connect all cables.

Double check to ensure that all connections are correct before moving forward.

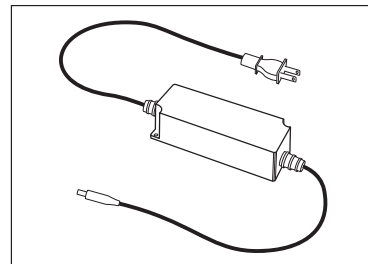
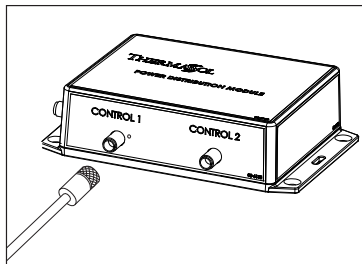


6 Connecting to Power Distribution Module (PDM)

Connect both the M12 power/data cable from the rainhead and the M12 cable from ThermaTouch to the PDM

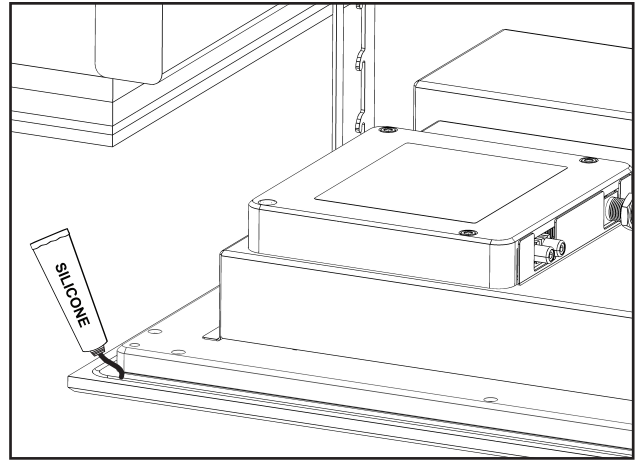
Plug the PDM into a standard 110VAC outlet, test at the control that all functions are working prior to moving forward.

Need Assistance?: Contact us at 800.776.0711



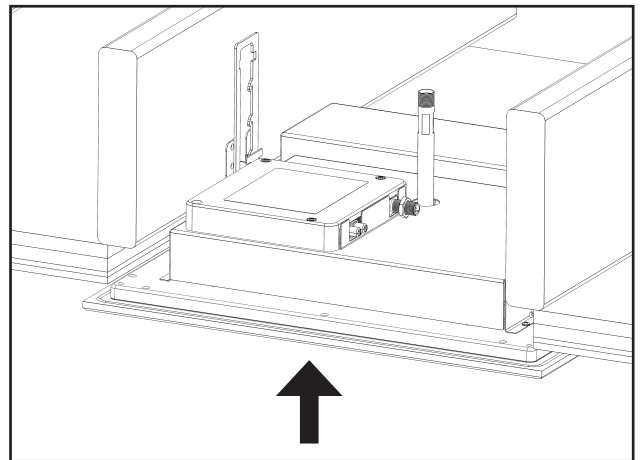
7 Sealing HydroVive

Apply silicone along the groove on the back of HydroVive.



8 Move Into Place

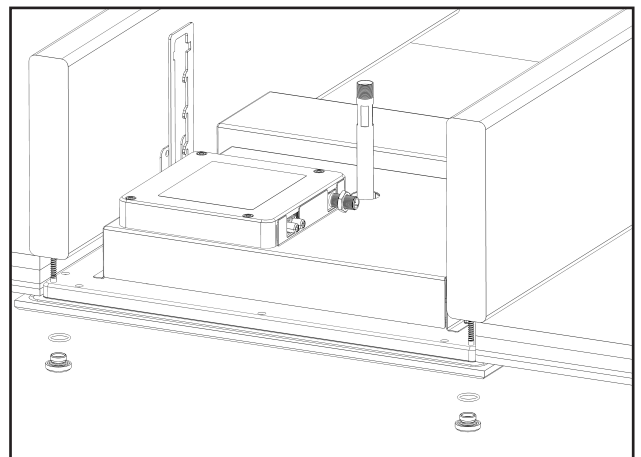
Guide the HydroVive into the ceiling and rest it on the highest hook you can reach. Use the 3.5" included mounting screws, and gradually insert them a little at a time to evenly lift the HydroVive into position to create a seal with the previously applied silicone. **DO NOT OVERTIGHTEN!** Once the HydroVive is in position and the silicone seal is created, no further clamping force is necessary.



9 Complete Installation

Install the Screw Covers with O-Rings by hand.

Allow the silicone to dry for 24 hours before use.



This equipment has been tested and found to comply with the limits for a Class B digital device, pursuant to part 15 of the FCC Rules. These limits are designed to provide reasonable protection against harmful interference in a residential installation. This equipment generates, uses and can radiate radio frequency energy, and if not installed and used in accordance with the instructions, may cause harmful interference to radio communications. However, there is no guarantee that interference will not occur in a particular installation. If this equipment does cause harmful interference to radio or television reception, which can be determined by turning the equipment off and on, the user is encouraged to try to correct the interference by one or more of the following measures:

- Reorient or relocate the receiving antenna
- Increase the separation between the equipment and receiver
- Connect the equipment into an outlet on a circuit different from that to which the receiver is connected
- Consult the dealer or an experienced radio/TV technician for help

THERMASOL

Steam & Showering Systems



THERMASOL®

Steam & Showering Systems



1958 STEAM WAY ROUND ROCK, TX 78665
PHONE: 800.776.0711 | FAX: 800.556.5257 | WWW.THERMASOL.COM

81283_NC