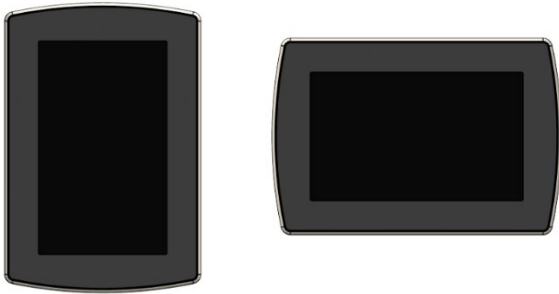


**SPECIFICATIONS – Signature Control**



Construction.....Brass  
 Display.....5” Capacitive Touch screen  
 Display Full Color.....16.7M  
 Display resolution.....480 x 800  
 Interface.....Single Touch

**Signatouch Series operational features:**

- **Digital Shower**
  - Operates flow, temperature, and output
- **Steam Shower**
  - Operates time, temperature, and auto powerflush
- **Light Sound and rainhead / Hydrovive**
  - Control linked Bluetooth device
  - Control moodlight, shower light, and chromatherapy.

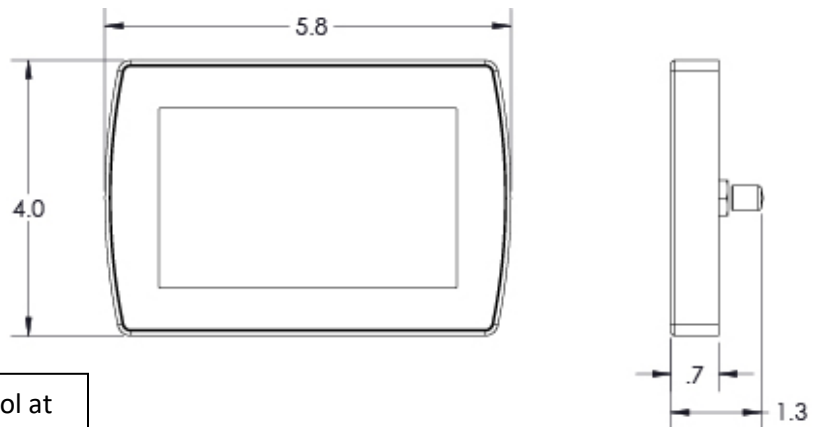
**Signatouch Series features:**

- Can be mounted vertically or horizontally
- 2 user settings
- 15 finishes

<p><b>Installation Notes:</b>                  The control should be installed 60” inches from the floor of the shower, inside the shower only, and away from the steam head.</p>	<p><b>Finish Chart:</b>                  Select desired finish and replace XXX with code.</p>	
	<p>PC = Polished Chrome                  SC = Satin Chrome                  PB = Polished Brass                  SB = Satin Brass                  AB = Antique Brass                  COP = Polished Copper                  ACOP = Antique Copper</p>	<p>PN = Polished Nickel                  SN = Satin Nickel                  BN = Black Nickel                  MB = Matte Black                  AN = Antique Nickel                  PG = Polished Gold                  ORB = Oil Rubbed Bronze                  WHT = White</p>

**Product Specification:**  
 The user interface control shall be 5.8"x4.0"x.7" in dimension. The Control shall be made from 360 brass and includes the ability to operate and control: Smart Steam, Fast Start, Auto PowerFlush, Hydrovive, Light and Sound System. By using a networked digital technology.

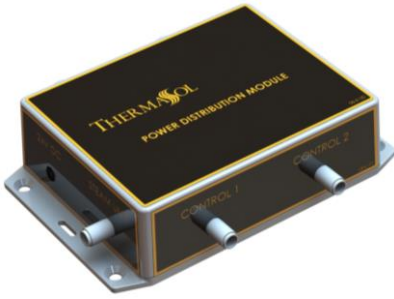
**Shipping Information:**  
 Weight.....1.25 lbs.  
 Length.....9.5 in.  
 Width.....6.5 in.  
 Height.....2.5 in.



For any further assistance please contact ThermaSol at 800.776.0711 or [sales@thermasol.com](mailto:sales@thermasol.com)  
 Visit [www.thermasol.com](http://www.thermasol.com) for a complete product definition

**SPECIFICATIONS – POWER DISTRIBUTION MODULE**

Construction..... ABS Plastic  
 Power Supply ..... UL Listed Class 2 & II, (03-7142)  
 Internal Operating Voltage.....24V DC, 60 Watt



**Basic Functions:**

- Distributes DC Power and Digital signals to system modules:
- Serenity Light, Sound and Rainhead
- ThermaTouch or Signature Series Controls
- Solitude Wireless Module - SWM-2 (signal only)
- Steam Generator (signal only)

**Installation Notes:**

Overall size is approximately 5-3/4" long by 3-3/4" wide and 1-1/2" high. (Without connections) Allow space; 3" Min. for connections. Unit consists of a low voltage (24VDC) circuit board inside a box that can be placed up to 25 feet from the Light and Sound fixture or up to 50 feet from the Steam Generator. A separate universal voltage Power Adapter is provided (03-7142), it requires a standard 110V AC two prong wall outlet.

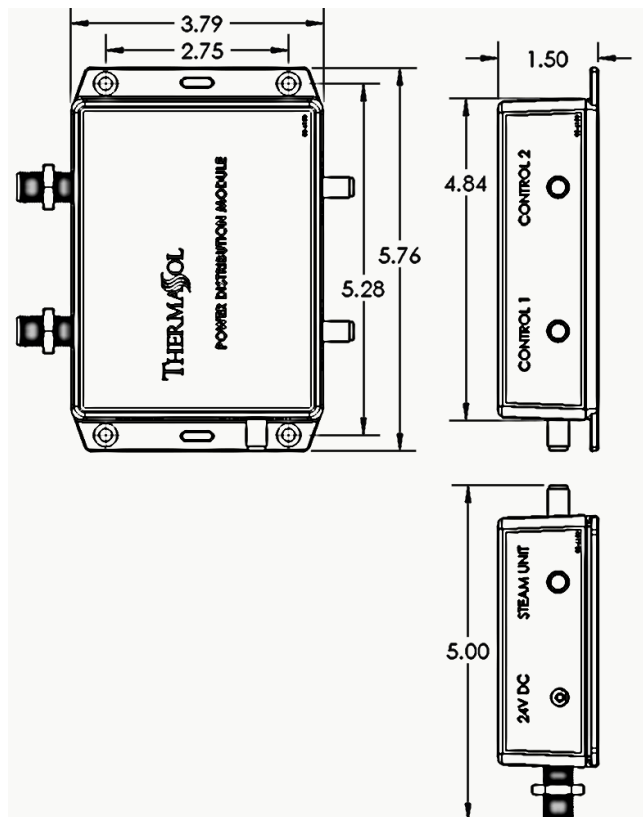
**Product Specification:**

5-3/4" L x 3-3/4" W x 1-1/2" H Body.  
 This PDM requires a ThermaSol Steam Generator and/or Light and Sound System and separate power supply for proper operation.

For any further assistance please contact  
 ThermaSol at 800.776.0711 or  
[sales@thermasol.com](mailto:sales@thermasol.com)

**Shipping Information:**

Weight.....4 lbs.  
 Length.....11 in.  
 Width.....14 in.  
 Height.....8 in.





## DIGITAL SHOWER VALVE

TDS-3000

With a minimalist look desired by top architects, ThermaSol's Digital Shower eliminates the need for exposed valves and trims. The integrated system reduces installation costs and allows the budget to be invested into building a state-of-the-art shower environment.

### FEATURES

- Industry leading ceramic disc Flühs valves ensures reliability and safety
- Operates two industrial grade stepper motors with 400 positions that take away the noise factor found with solenoid valve systems and provides precise temperature control
- May be installed up to 30 ft. away from shower
- Three output valve - Example: Rainhead, Hand Shower and Standard Showerhead
- Battery backup included
- Output 9.25 GPM at 45 PSI
- IAPMO Approved

### SHIPPING WEIGHT

**Weight** | 10.65 lbs.

**Length** | 12 in.

**Width** | 16 in.

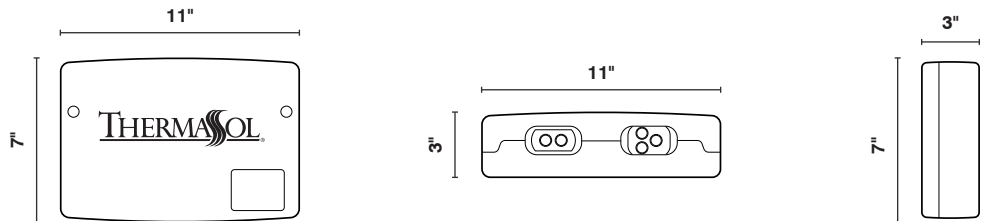
**Height** | 3.5 in.

### SPECIFICATIONS

**Two Inputs** | 1/2" FNPT

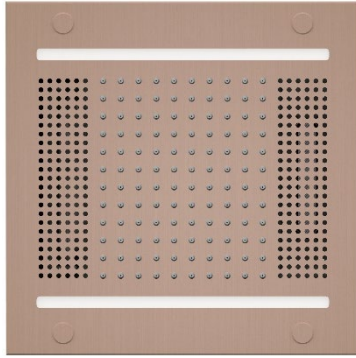
**Three Outputs** | 1/2" FNPT

**Power Supply** | Input 110VAC .5 AMP Output 15VDC, 3 AMPS Required



### INSTALLATION NOTES

- Refer to ThermaSol installation Instructions Doc No. 81216 for complete instructions.
- Digital Shower Valve must be accessible do not seal into walls.



**SPECIFICATIONS – Light and Sound Rain System**

Construction.....Machined Brass  
 Controllability.....ThermaTouch Series Controls  
 Function Lights.....84 Full-color luminous LED  
 Rainhead Water Supply.. 3/8” Compression, 40-80 PSI, 1.8GPM  
 Water Jets.....120  
 CEC Approved

**Lighting**

- 84 Full-color luminous LED (R,G,B,W)
- Color Changing “Mood Lighting”
- Preset Chromatherapy Chakras
- Custom user programmable “any color”

**Audio**

- Amplifier: 100Watt RMS, built in Digital Signal Processor
- Built-in Bluetooth v4.2
- 1” x 5” Full range dual driver speaker
- 1- 2” subwoofer module with tuned radiator

**Installation Notes:**

Overall size is 14.0” SQ x 14.0” tall and requires approx. 13.0” x 13.0” cutout in the shower ceiling. The unit is self-contained as one piece and extends into the ceiling space 8.0” plus plumbing connection clearance. Use a 3/8” compression fitting and a flexible potable waterline to connect to the Rainhead. Use only potable water and approved plumbing fittings for any shower connection. Refer to ThermaSol Installation Instructions for a full-sized template and detailed installation and operation instructions.

**Finish Chart:**

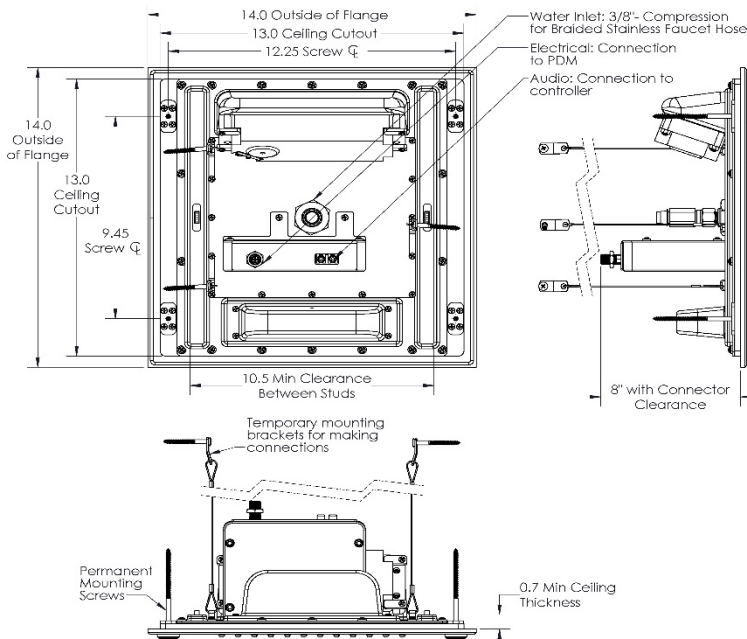
Select desired finish and replace XX with code.

PC = Polished Chrome  
 SC = Satin Chrome  
 PB = Polished Brass  
 SB = Satin Brass  
 AB = Antique Brass  
 COP = Polished Copper  
 ACOP = Antique Copper

PN = Polished Nickel  
 SN = Satin Nickel  
 BN = Black Nickel  
 MB = Matte Black  
 AN = Antique Nickel  
 PG = Polished Gold  
 ORB = Oil Rubbed Bronze  
 WHT = White

**Product Specification:**

A self-contained, Light and Sound Rainhead module that creates high-intensity chromatherapy lights and sounds. Rainhead is rated at 1.8 GPM Max. at 80 PSI and requires a separate diverter port with shut off valve. Powered by: provided PDM power supply.



For any further assistance please contact ThermaSol at 800.776.0711 or [sales@thermasol.com](mailto:sales@thermasol.com)  
 Visit [www.thermasol.com](http://www.thermasol.com) for a complete product definition

**Shipping Information:**  
 Weight..... 22 lbs.  
 Length.....22 in.  
 Width.....22 in.  
 Height.....11 in.